

INDEX

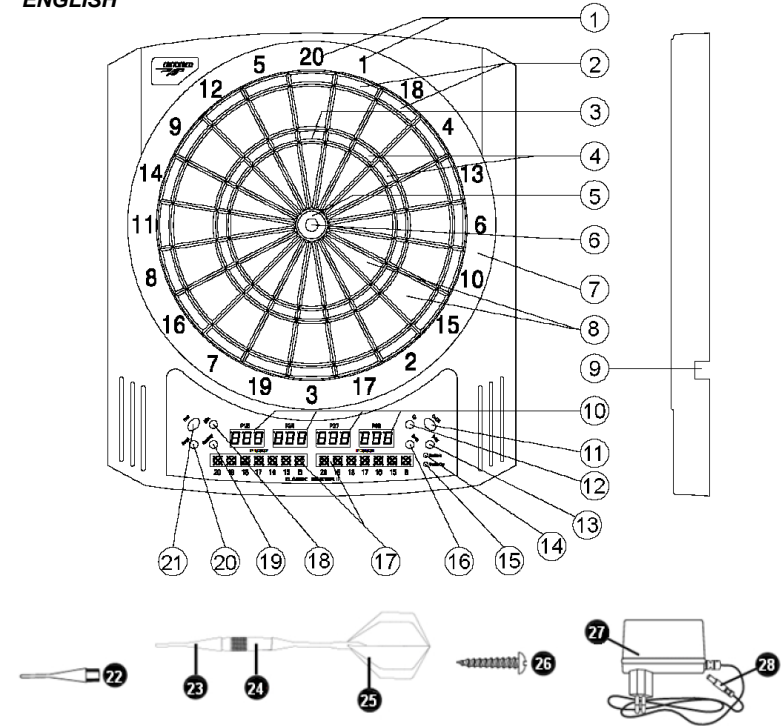
<u>ENGLISH</u>	DESCRIPTION.....	2
	MOUNTING INSTRUCTIONS.....	2
	TIPS AND GUIDANCE.....	3
	SET UP & FUNCTIONS.....	4
	GAME SELECTION.....	6
	GAME RULES.....	7
	TROUBLE SHOOTING.....	17
	SAFETY-NOTICE.....	17
<u>FRANCAIS</u>	DESCRIPTION.....	19
	INSTRUCTIONS DE MONTAGE.....	20
	RECOMMANDATIONS.....	21
	PARAMÉTRAGES ET FONCTIONS.....	22
	SÉLECTION DES JEUX.....	24
	RÈGLES DES JEUX.....	26
	ÉPANNAGE.....	36
	CONSIGNES DE SÉCURITÉ.....	36
<u>ESPAÑOL</u>	DESCRIPCIÓN.....	38
	INSTRUCCIONES DE MONTAJE.....	39
	CONSEJOS Y GUÍA.....	40
	PUESTA EN MARCHA Y FUNCIONAMIENTO.....	41
	SELECCIÓN DE JUEGOS.....	43
	REGLAS DE LOS JUEGOS.....	45
	SOLUCIÓN DE POSIBLES PROBLEMAS.....	55
	AVISO DE SEGURIDAD.....	55
<u>ITALIANO</u>	DESCRIZIONE.....	57
	ISTRUZIONI PER IL MONTAGGIO.....	58
	CONSIGLI E INDICAZIONI.....	59
	CONFIGURAZIONE DEL GIOCO.....	60
	SELEZIONE DEL GIOCO.....	62
	REGOLE DI GIOCO.....	64
	RISOLUZIONE DEI PROBLEMI.....	74
	INDICAZIONI DI SICUREZZA.....	74
<u>NEDERLANDS</u>	BESCHRIJVING.....	76
	MONTAGE-INSTRUCTIES.....	77
	TIPS EN ADVIES.....	78
	INSTELLING EN FUNCTIE.....	79
	SPELKEUZE.....	81
	SPELREGELS.....	83
	TROUBLE SHOOTING.....	93
	VEILIGHEIDSGEINFORMATIE.....	93
<u>DEUTSCH</u>	BESCHREIBUNG.....	95
	ANLEITUNG ZUM AUFHÄNGEN.....	96
	TIPPS UND ANLEITUNGEN.....	97
	EINSTELLUNGEN & FUNKTIONEN.....	98
	SÉLECTION DES JEUX.....	100
	SPIELREGELN.....	102
	FEHLERBEHEBUNG.....	112
	SICHERHEITSHINWEISE.....	112



ENGLISH


DESCRIPTION SOFT-TIP ELECTRONIC DART GAME

Universum Intro



- | | |
|---------------------------------------|-------------------------|
| 1. Segment Numbers | 15. Double Out |
| 2. Double Rings (x2) | 16. DOWN Button |
| 3. Triple 20 Top' n Score (60 points) | 17. Cricket Display |
| 4. Triple Rings (x3) | 18. Miss Button |
| 5. Outer Bull's Eye (25 points) | 19. Handicap Button |
| 6. Inner Bull's Eye (50 points) | 20. Sound on/off |
| 7. Catcher (0 points) | 21. NEXT Button |
| 8. Single Rings (x 1) | 22. Spare Tip x 20 |
| 9. Adapter Jack | 23. Soft Tip |
| 10. Score review | 24. Barrel |
| 11. ON/OFF Button | 25. Flight & Shaft |
| 12. UP Button | 26. Screws 2x |
| 13. ENTER Button | 27. Adapter 4,5V, 500mA |
| 14. Double In | 28. Plug |

TOOLS REQUIRED FOR ASSEMBLY:
Screwdriver and drill - (not included)

1. Preparing the darts: Screw the point (tip) and shaft into the grip (barrel). If extra flights, bend the flight into shape and put it into the shaft.
 2. Suspend the dartboard by means of the two mounting holes in the back. 2 screws are provided for mounting on the wall. Should the screws not be suitable for your wall, change them for suitable screws. There needs to be a power socket nearby. According to international dart match rules, the dartboard should be suspended in such a way that the height from the floor to the center of the dart circle is 1.73 m (68") and the distance from the throwing line to the board is 2.37 (7 feet 9 1/4 inches).
 3. Place two marks side-by-side of the selected wall studs 192cm (75 5/8") above the floor, with 14cm (5 1/2") between them. Screw two screws into the reference marks until the screw heads are protruding about 13mm (1/2") from the wall.
 4. Line up the mounting holes on the back of the game with the screw heads, then mount the game. It may be necessary to adjust the screws until the board fits snugly against the wall.
 5. Connect the adapter to the wall outlet and the plug to the dartboard.
The adapter must have 230V, AC – 4,5V DC, 500mA.
- 
6. Familiarize yourself with the function of your dartboard before use. Should you suspect the dartboard does not work correctly, please refer to the TROUBLE SHOOTING section in this manual first.

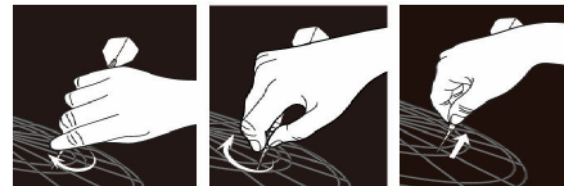
TIPS AND GUIDANCE

This game is designed for use with SOFT-TIP DARTS ONLY. Use of Steel-Tip Darts will cause damage to the dartboard.

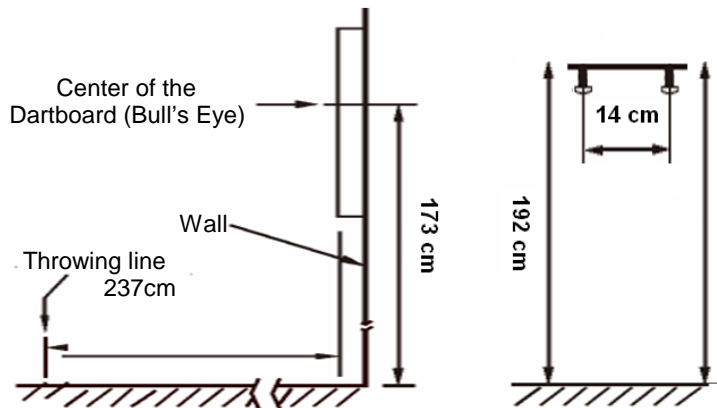
Apply proper force and stance to throw darts. It is not necessary to throw hard for the darts to stick in the board. The recommended weight of soft-tip darts is no more than 16 grams.

To reduce bounce-outs, you shall use the same kind of soft tips as those come with the game. Long tips are not recommended for this game. They break or crook more easily.

When removing dart from the board, apply a little twist to the right while pulling the dart out will make it easier.



MOUNTING INSTRUCTIONS



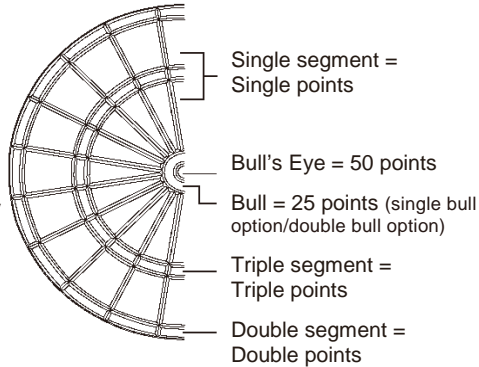
CALCULATING POINTS

A throw

A throw consists of 3 darts.

Ricochet and missed darts

Each ricocheted dart or dart landing outside the playing area does not count and may not be thrown again.



SET UP & FUNCTIONS

START
ON/OFF

Push ON/OFF button to start the setup. With the power turned on, some displays will light up with a welcoming melody. When the sound goes off, the player display and score display will show "G0 1" and "301" respectively.

GAME & OPTION
UP/DOWN
ENTER

Press the UP and DOWN buttons to cycle through the games (see GAME SELECTION). Once your game is displayed, press the ENTER button to confirm.

Press the UP and DOWN buttons to scroll through the game options. Once your game option is displayed, press the ENTER button to confirm.

Some games have the possibility to select Double In and/or Double out. Press the UP and DOWN buttons to scroll through these special functions (see Game G01)

Once your special function is displayed, press the ENTER button to confirm.

PLAYER
UP/DOWN
ENTER

Press UP or DOWN buttons to select number of players. There are total 9 selections of players from 1 player mode to 8 players mode plus a solo (cyber) player mode. Press ENTER to confirm the player selection.

SOLO (CYBER)
UP/DOWN
ENTER

If the option you selected and confirmed is at solo (cyber) player mode, you will play against the computer. Press UP or DOWN to select the levels of the solo (cyber) player and press ENTER to start the game. The five levels of solo (cyber) player are as follow:

C1: Beginner

C2: Intermediate

C3: Advanced

C4: Expert

C5: Professional

Press enter to confirm the Solo (Cyber) game selection.

HANDICAP
HANDICAP
UP/DOWN
ENTER

For some games, handicap mode can be selected after the number of players has been selected (before you push the Enter button). Press Handicap to enter handicap selection mode. Then press Up / Down to select the handicap option for each player. Press Handicap to jump to the next player.

**SINGLE/
DOUBLE BULL**
UP/DOWN
ENTER

In case the game has Double and Single bull options, press UP or DOWN to select. Press ENTER to confirm the Single/ Double Bull selection.

**PLAYER
CHANGE**
NEXT

During the game, when the computer announce "NEXT", any pressure on the segments will not activate the dartboard. The player is required to remove all the darts and press Next for the next player's round. The dartboard will automatically switch to the next player if the board has not been played for roughly 10 seconds after the "NEXT" announcement.

**REVIEW
SCORE**
NEXT

The game ends when the winner is determined or all players have completed their final score (see each game for details). Use the NEXT button to view each player's finishing placement and final score.

MISS
MISS

Press MISS to score 0 and record one dart when a dart hits on the WEB dart catcher or misses the board altogether.

RESET
MISS

If you want to reset the game, push MISS button and hold for 2 seconds.

SCORES
ENTER

During the course of playing, you can press Enter to check the scores of other players.

END
ON/OFF

Press ON/OFF button to turn off game. For energy saving purpose, the board is equipped with an auto power off feature. If the game has not been played for 30 minutes, the game will turn off automatically.

SOUND
SOUND

This board is equipped with a sound button. You can switch on or off the sound during play.

GAME SELECTION

Game	Description	Display	No. of Options/	No. of Players
G01	301	301	7/56	1-8
G02	301 League	CO1	7/224	1-8
G03	CountUp	CUP	9/18	1-8
G04	Round the Clock	rCL	12	1-8
G05	Shanghai	Shi	4	1-8
G06	High Score	HiS	12/24	1-8
G07	Killer	LLr	30	2-8
G08	Shoot-out	S-0	19	1-8
G09	9 lives	9Li	7	2-8
G10	Cricket	Cri	3/6	1-8
G11	No Score Cricket	NSc	3/6	1-8
G12	Cut Throat Cricket	CUc	3/6	1-8
G13	Killer Cricket	LLc	3/6	2-8
G14	Scram Cricket	SCc	1/2	2
G15	Low Pitch Cricket	LPc	3/6	1-8
G16	English Cricket	Enc	1/2	2
G17	Double Only Cricket	dbc	3/6	1-8
G18	Color	CL2	5	1-8
G19	Bonus Color	bC2	5	1-8
G20	Correctional Color	CC2	5	1-8
G21	No score Color	NC2	5	2-8
G22	Free-Dart Color	FdC	4	1-8
G23	Overs	orS	19/38	2-8
G24	Unders	Und	19/38	2-8
G25	Halve-it	HAL	1/2	1-8
G26	Big-6	biG	19	2-8
G27	Forty-One	For	1/2	1-8
G28	Bingo	bin	4	1-8
G29	Double Down	ddn	1/2	1-8
G30	21 points	21P	7	1-8
G31	Nine Dart Century	Ndc	3/6	1-8
G32	Football	Ftb	1	1-8
G33	Shooting I	S-1	1/2	1-8
G34	Shooting II	S-2	1/2	1-8
G35	Shooting III	S-3	1/2	1-8
G36	Shooting IV	S-4	1/2	1-8

HANDICAP OPTIONS

Game no.	Game	Handicap options
G01	301	-20, -40, -60, -80 scores
G02	301 League	-20, -40, -60, -80 scores
G03	Count Up	+20, +40, +60, +80 scores
G05	Shanghai	+20, +40, +60, +80 scores
G06	High Score	+20, +40, +60, +80 scores
G07	Killer	-1, -2, -3, -4 lives
G08	Shoot out	+1, +2, +3, +4 scores
G09	9 Lives	-1, -2, -3, -4 lives
G18	Color	+20, +40, +60, +80 scores
G19	Bonus Color	+20, +40, +60, +80 scores
G20	Correctional Color	+20, +40, +60, +80 scores
G21	No score Color	-1, -2, -3, -4 lives
G22	Free-Dart Color	+20, +40, +60, +80 scores
G23	Overs	-1, -2, -3, -4 lives
G24	Unders	-1, -2, -3, -4 lives
G25	Halve-it	+20, +40, +60, +80 scores
G26	Big-6	-1, -2, -3, -4 lives
G27	Forty-One	+20, +40, +60, +80 scores
G29	Double Down	+20, +40, +60, +80 scores
G30	21 points	1, +2, +3, +4 scores

PLAYING THE GAME

- Each Player's turn is indicated by P-1, P-2P-8.
- Each player is entitled to throw 3 darts per turn.
- This electronic dart game can show total scores and reveal the targets automatically.
- Always wait for the board to finish sounding the signal before throwing darts.

GAME RULES

G01 301-999 GAMES

OPTION: 301, 501, 601, 701, 801, 901, 999 / DOUBLE BULL/ SINGLE BULL

This is the most popular dart game, played in most leagues and tournaments. Each player starts the game with 301 points (or 501, 601, etc.). At the end of each player's turn, the sum of the three darts thrown is subtracted from the player's score. The player who reaches exactly zero first wins the game. The play can continue until the 2nd, 3rd and 4th places are determined. To make the game more challenging, you may select DOUBLE IN and/or DOUBLE OUT to set additional restrictions on how to start and end the game. The choices are as follows:

SiO (Standard): The scoring begins and ends when any number is hit. The player

can finish the game with a hit on any number that reduces the score to exactly zero. When a player exceeds the score needed to reach exactly zero, the turn is a "bust" and the score reverts back to what it was before the turn.

diO - Double In: The scoring begins when a number in the double's ring or the Double Bull's Eye is hit. No score will be counted until this condition is met.

SdO - Double Out: The player can finish the game with a hit on a number in the double's ring or the Double Bull's Eye that reduces the score to exactly zero. When a player exceeds the score needed to reach exactly zero or "1", the turn is a "bust" and the score reverts back to what it was before the turn (Remaining "1" score is also a bust, because there is no possibility to bring it to zero with a double hit)

diS - Double In + Double Out: The scoring begins when a number in the double's ring or the Double Bull's Eye is hit and it ends when a double's ring or the Double Bull's Eye is hit that reduces the score to exactly zero.

G02 301-999 LEAGUE

OPTION: 301, 501, 601, 701, 801, 901, 999 / DOUBLE BULL/ SINGLE BULL

This is a team play of the 301-999 game, very popular among dart leagues. There are always 2 teams and up to 4 players per team. For example: player 1 and player 3 play against player 2 and player 4. The game is played the same way as the individual 301-999 game. Options: 2C, 3C, 4C, Cyb:

- 2C: 2 players in each team
- 3C: 3 players in each team
- 4C: 4 players in each team
- Cyb: 1 player in each team

G03 COUNT UP

OPTION: 100, 200, 300, 900 / DOUBLE BULL/ SINGLE BULL

This is a simple game that anyone can play. The objective is to beat the other players by being the first to reach a preset score. The available settings are: 100, 200, 300, 400, 500, 600, 700, 800 and 900. Each player should try to score as high as possible in his/her turns. The final total score is allowed to be more than the preset score.

G04 ROUND THE CLOCK

OPTION: 105, 110, 115, 120, 205, 210, 215, 220, 305, 310, 315, 320

The player tries to hit the numbers from (depending on the choosed option) 1 to 5, 1 to 10, 1 to 15, or 1 to 20 in order. When a number is hit, then the game is advanced for shooting the next number. The player who reaches and hits the end number for their game first is the winner. Choose options:

- 105,110,115,120: The last number is 5,10,15,20 respectively regardless of single, double or triple
- 205,210,215,220: The last number is 5,10,15,20 respectively only double is valid.
- 305,310,315,320: The last number is 5,10,15,20 respectively only triple is valid.

G05 SHANGHAI

OPTION: L01, L05, L10, L15

This game is similar to Round-The-Clock. Players start shooting with the number 1 (or 5 or 10 or 15) and progress toward 20 and Bull's Eye. No hit is counted when it is out of the numbering sequence. A hit on a double or a triple is counted as 2x or 3x the number. The player who accumulates the highest total score wins.

Choose options:

- Option L01: the game starts from segment 1
- Option L05: the game starts from segment 5
- Option L10: the game starts from segment 10
- Option L15: the game starts from segment 15

G06 HIGH SCORE

OPTION: H03, H04,..... H13, H14 / DOUBLE BULL/ SINGLE BULL

This game is similar to Count-Up, except that the game ends with the selected number of rounds. The player who accumulates the highest total score wins. Please select the number of rounds with the options H03 to H14 which represent 3 to 14 rounds.

G07 KILLER

The goal of this game is to "kill" the opponents and to stay alive oneself. The winner is the one still "alive" at the end. In option 303 - 321 Bulls and Bullseye are not taken into account. These fields are switched off. Each player must throw his own numbersegment. The display will indicate "SEL" atthis point. Ifa player misses the board or hits the Bullseye or a number segment already hit by another player, he must throw again. Once each player has a number, the action starts. Each player tries to hit his/her own number to attain the qualification for a "killer". When becoming a killer, the objective of the player is to "kill" his /her opponents by hitting their segment number until all their "lives" are lost. If a killer hits his/her own segment number, the killer will lose the qualification for "killer" and also lose one "life". He regains the "killer" status by hitting his own number segment and again. The last survivor wins the game. For more difficult play, hit the double (or triple) for his /her own scoring number to attain the qualification for a "killer".

Please select the number of lives and the Segment difficulty (all segments, Double segment or triple segment) with the options 003 to 321 which represent 3 to 21 lives and the segment difficulty.

Option	Lives	Shoot area (killer)
003	3	single, double, triple
005	5	single, double, triple
.....	...	single, double, triple
021	21	single, double, triple
203	3	double
205	5	double
...	double
221	21	double

Option	Lives	Shoot area (killer)
303	3	triple
305	5	triple
....	triple
321	21	triple

G08 SHOOT-OUT

OPTION: -03, -04, -05 -19, -20, -21

The computer will randomly display a score for the player to hit. One correct hit scores a point. The first player who hits 3, 4 - 21 marks depending on the level of difficulty is the winner. If a player does not hit the board within 10 seconds, it will automatically change to another score for the player to hit and it counts as if you hit the wrong number. In this game double and triple are treated as single.

G09 LIVES

OPTION: 003, 004, 005, 006, 007, 008, 009

This game plays numbers 1 through 20 and bull's eye in a sequence loop. Players take turns throwing in 1 in the first round, 2 in the second round, and so on, until "25" in the 21st round, 1 in the 22nd round and so on. Each player must hit the target number with one dart in each round. The player will lose a life if all 3 darts miss. The last player remaining alive is the winner. 003, 004, 005009 represent 3, 4, 5..... 9 lives respectively.

G10 SIMPLE CRICKET


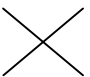
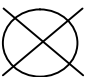
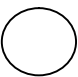
OPTION: C00, C20, C25 / DOUBLE BULL/ SINGLE BULL

Cricket is a very popular game. You only play with the number segments from 15 to 20 and the B(Bull/Bullseye). Each participant throws 3 darts. A number segment must be hit three times by the player and then the segment is open to him. Now he can score on the opened number segment. If the opponent(s) also hit(s) this number segment three times, then it is closed. There is no more scoring on a closed number segment. Double or triple segments count as 2 or 3 hits. The segments can be opened and closed in order according to option selected. The player who closes most segments and obtains the highest score, wins. The strategy is thus to decide whether it is more meaningful to close a segment or first to accumulate points. Because if a player has closed most of the segments but is behind in points, he cannot win the game. The end of the game is when all the number segments are closed. The person who obtains the most points, wins. Choose options:

C00: open the numbers at any order

C20: open the number20 first, then open in order: 19, 18, 17, 16, 15 & Bulls Eye

C25: open the Bulls Eye first, then open in order 15, 16, 17, 18, 19 & 20

Cricket	one time	two times	open	close
Sign				

G11 NO SCORE CRICKET

OPTION: 000, 020, 025 / DOUBLE BULL/ SINGLE BULL

This is a simplified version of Cricket. The objective is to close all the numbers as soon as possible. No score is given for a hit on a closed number at any time. Therefore, once a number is hit three times, you should move on to hit other targets. The winner is the one who registers all three hits on all numbers first. Choose options:

000: open the numbers at any order

020: open the number20 first, then open in order: 19, 18, 17, 16, 15 & Bulls Eye

025: open the Bulls Eye first, then open in order 15, 16, 17, 18, 19 & 20

G12 CUT THROAT CRICKET

OPTION: 00C, 20C, 25C / DOUBLE BULL/ SINGLE BULL

This is a reversed version of Cricket. After a number is opened, a hit for scoring is added to the opponents' scores. The highest accumulative score is the losing score. However, no score will be added to a player who has the number already closed. The winner is the one who has the lowest score and closed all the numbers first. If a player has closed all the numbers first but also has a higher score, he/she must keep on throwing to bring the opponents' scores over or equal to his/her score. Therefore, the best strategy is to close the numbers as soon as possible to block the other players from giving you points while adding the chance to penalize the others. Choose options:

00C: open the numbers at any order

20C: open the number20 first, then open in order: 19, 18, 17, 16, 15 & Bulls Eye

25C: open the Bulls Eye first, then open in order 15, 16, 17, 18, 19 & 20

G13 KILLER CRICKET

OPTION: H00, H20, H25 / DOUBLE BULL/ SINGLE BULL

This game is much like the No Score Cricket with an added twist. When a number is opened, the player has a chance to eliminate opponents' marking by hitting the same number again. However, if the opponent has the number closed as well, then no marks will be taken away from that player. The player who closes all the numbers first is the winner. Choose options:

H00: open the numbers at any order

H20: open the number 20 first, then open in order: 19, 18, 17, 16, 15 & Bulls Eye

H25: open the Bulls Eye first, then open in order 15, 16, 17, 18, 19 & 20

G14 SCRAM CRICKET

OPTION: Double Bull, Single Bull

Each player throws the 15 - 20 number segments plus Bull/Bullseye. One player is the shooter and can obtain points while the remaining player is

the stopper and must hit each number segment plus the Bull/Bullseye once in order to close it. The shooter can no longer score on a closed number segment. The shooter changes when all the number segments are closed. Now player 2 becomes the shooter. The aim of each shooter is to obtain as many points as possible. The player with the highest score after both rounds is the winner.

G15 LOW PITCH CRICKET

OPTION: E00, E20, E25 / DOUBLE BULL/ SINGLE BULL

This version of Cricket utilizes the lower numbered segments on the board for a change of pace from the standard Cricket segments. Players will need to "close" segments 1, 2, 3, 4, 5, 6, and Bull's Eye. All other rules apply as detailed in standard Cricket. Choose options:

E00: open the numbers at any order

E20: open the number 6 first, then open in order: 5, 4, 3, 2, 1 & Bulls Eye

E25: open the Bulls Eye first, then open in order 1, 2, 3, 4, 5 & 6

G16 ENGLISH CRICKET

OPTION: Double Bull, Single Bull

This game is for 2 players and consists of two rounds. Player 1 "must hit the Bull or Bullseye until it's closed with 9 hits. (9X) The Bullseye counts double. Player 2 must obtain as many points as possible. 40 points are deducted from the points obtained after each throw (3 darts). If player 1 has hit the Bull /Bullseye and

closed it with 9 hits (9X), the roles change. At end of the second round, the player with the most points wins.

G17 DOUBLE ONLY CRICKET

OPTION: L00, L20, L25, Double Bull, Single Bull

Double Only Cricket is played the same as Cricket except that a double of each designated cricket number must be hit before a player can go further with that number. Once double is hit, that number is allowed to open. Then that double, and all other doubles, triples and singles of that number count. For example, to start the 20's each player must hit double 20. After getting double 20 then a single 20 would close the number, a double would open and score 20 points, and a triple would open and score 40 points. So, it is impossible to open/close a number with one dart.

G18 COLOR

OPTION: 100, 200, 300, 400, 500

To begin this game, each player must throw one dart to determine at which block/color (#20 color or #1 color) who will be shooting. (If the player hits a bullseye with this dart, they must throw again to decide the color). Each player then tries to hit their color target in order to add up to the total score (which must be decided on and set up in Game Options at the beginning of the game: 100, 200, 300, 400 or 500). If a player throws a dart in an opponent's color, then the mark does not count. The bullseye does count towards your total score. The first player to the pre-set final score wins.

G19 BONUS COLOR

OPTION: 100, 200, 300, 400, 500

This game is played the same as "Color" with the following exception. If a player throws their dart in an opponent's color, that opponent gets the points added towards his total score. Please select the number of scores with options 100 to 500 which present 100 to 500 scores.

G20 CORRECTIONAL COLOR

OPTION: 100, 200, 300, 400, 500

This game is played the same as "Color" with the following exception. If a player throws their dart in an opponent's color, those points are deducted from the player's total score. Please select the number of scores with options 100 to 500 which present 100 to 500 scores.

G21 NO SCORE COLOR

OPTION: 003, 004, 005, 006, 007

This game is played the same as "Color" with the following exception. Each player tries to hit their color target to mark one point. If a player throws a dart in an opponent's color, one mark is removed from the player's total score and the player loses his turn. (The bullseye does count towards your total score.) The winner will be the only player with marks remaining (when all others are at zero). The total score must be decided on and set up in Game Options at the beginning of the game: 3, 4, 5, 6, or 7 total marks.

G22 FREE-DART COLOR

OPTION: 005, 010, 015, 020

This game is played the same as "Color" with the following exception. Each player tries to hit their color target to gain the highest possible score. If a player throws a dart in an opponent's color, it does not count towards the total score. (The bullseye does count towards your total score.) The player with the highest total of points after all the darts are thrown is the winner. The total number of darts to be thrown must be decided on and set up in Game Options at the beginning of the game: 5, 10, 15, or 20 total darts.

G23 OVERS

OPTION: O03, O04...O20, O21 / DOUBLE BULL/ SINGLE BULL

This is a simple and quick game. Each player should try to score equal or higher than the previous highest score made in a turn. When a player scores less than the previous three-dart total, one "Life" is then taken away from that player. The last player who has a "Life" left is the winner. Please select the number of lives with the options O03 to O21 which represent 3 to 21 lives.

G24 UNDERS

OPTION: U03, U04... U20, U21 / DOUBLE BULL/ SINGLE BULL

This game is similar to Overs, except the objective is to beat the lowest record of three darts in total. When the three-dart total is higher than the record, then one "Life" is taken away from the player. Any pass of a throw or any hit outside the scoring area is penalized with 60 points (3 x 20, the highest possible one-dart

score). The last player who has a "Life" left is the winner. Please select the number of lives with the options U03 to U21 which represent 3 to 21 lives.

G25 HALVE- IT

OPTION: DOUBLE BULL/ SINGLE BULL

Everybody starts the game by shooting for the number 12, and then 13, 14, any Double, 15, 16, 17, any Triple, 18, 19, 20 and then Bull's Eye. Each player throws three darts at the same number, and then progresses to the next number in the next round. All scores will be accumulated, Double counts as 2x and Triple as 3x the points. If a player misses all three throws on a specific target in a round, his/her scores will be cut in half. At the end of the game, the player with the most points is the winner.

Round	12	13	14	D	15	16	17	T	18	19	20	B	Total
Player													

D: Double T: Triple B: Bull's eye

G26 BIG-6

OPTION: b03, b04, b05...b19, b20, b21

Single-6 is the first target when the game starts. Within the three throws, the player has to hit the target once to save his/her lives. As long as the hit is made by the first or the second throw, the player has a chance with one throw to select the opponents target. Singles, Doubles and Triples are all considered as different targets. Strategy is to pick the toughest target for the opponents as possible, such as "triple- 20" or "double-Bull's Eye". The last player who has a "Life" left is the winner. Please select the number of lives with the options b03 to b21 which represent 3 to 21 lives.

G27 FORTY-ONE

OPTION: DOUBLE BULL/ SINGLE BULL

Everybody starts the game by shooting for the number 20, and then 19, 18, 17, 16, 15, Bull's Eye and then total 41 points. Each player throws three darts at the same number, and then progresses to the next number in the next round. All scores will be accumulated, Double counts as 2x and Triple as 3x the points. An additional round of 41 points is included after bull's eye and a player has to get through this challenge to end his last round (41 is the sum to be thrown by 3 darts in order). At the end of the game, the player with the most points is the winner.

	20	19	18	17	16	15	B	'41'	Total
Player 1									
Player 2									

B: Bull's eye

G28 BINGO

OPTION: 132, 141, 168, 189

The board will display the target segment automatically. The player who first finishes hitting all specified target segments for three times wins the game.

132- Hit the segment with the sequence of 15, 4, 8, 14, 3.

141- Hit the segment with the sequence of 17, 13, 9, 7, 1.

168- Hit the segment with the sequence of 20, 16, 12, 6, 2.

189- Hit the segment with the sequence of 19, 10, 18, 5, 11.

The player should hit a number segment three times to enter into the next number segment. Hitting the single segment counts as one time; the double segment counts as two times; the triple segment counts as three times.

G29 DOUBLE DOWN

OPTION: DOUBLE BULL/ SINGLE BULL

The game starts with a base score of 40 for each player. The player has to score by hitting the active segments of the current round. For instance the 1st round, the player must throw to hit segment 15. If no 15's are hit, the player's score will be cut by half. The next round is 16 and so on. For D and T, the player has to hit any double or triple and the same rule will be applied. The player who gets the highest score is the winner.

	15	16	D	17	18	T	19	20	B	Total
Player 1										
Player 2										

D: Double T: Triple B: Bull's eye

G30 21 POINTS

OPTION: 005, 006, 007, 008, 009, 010, 011

The object of this game is to get the most marks. A player can get one mark in two ways:

1. Gets 21 points exactly with 1, 2 or 3 darts, or
 2. Has the highest points up to 21 points (if no one gets 21 points in this round)
- The player will 'bust' when a score is over 21 points and the player cannot get a mark. After the game is over, the player with the most marks wins the game.

Please select the number of rounds with the options 005 to 011 which represent 5 to 11 rounds.

G31 NINE DART CENTURY

OPTION: 100, 150, 200, DOUBLE BULL/ SINGLE BULL

The options are the target score, see the chart below.

Option	100	150	200
Target Score	100 Points	150 Points	200 Points

In this game each player has 9 darts (three turns) to score 100 (or 150, 200) points without going over, or get as close to 100 as possible. If you go over you are out of the game. The dart board will announce "BUST". Darts that land outside the scoring area will reset your score back down to zero. Darts that bounce out are not penalized and do not count for any points. The number on the dartboard that you hit will be your score. A double segment is worth double points and a triple is worth triple. The player that gets closest to the Target Score without going over is the winner.

G32 FOOTBALL

The players have to select their playing field first, by throwing a dart at the dartboard. Once a playing field is selected, you have to start points from the double segment, carry through the bull's eye and then to the opposite segments in strict sequence. The status of the player will be indicated at the display. For example, if a player selects segment 11, he should hit D-11, S-11, T-11, S-11, outer bull's eye, inner bull's eye, outer bull's eye, S-6, T-6, S-6, and finally the D-6. The first player who finished his playing field is the winner.

G33 SHOOTING I**OPTION: DOUBLE BULL/ SINGLE BULL**

In this game, each player throws three darts. The player with the highest 3 dart total wins that round. Game is played until one player reaches a total of 7 rounds won.

G34 SHOOTING II**OPTION: DOUBLE BULL/ SINGLE BULL**

This game is played just like Shooting I, however, only darts that land in the single, double or triple areas of the following Target Area numbers will count towards the score: 15, 16, 17, 18, 19, 20, Bullseye. Winner is the first one to win 7 rounds.

G35 SHOOTING III**OPTION: DOUBLE BULL/ SINGLE BULL**

This game is played just like Shooting I. The game lasts seven rounds and the winner is the first to reach four rounds won.

G36 SHOOTING IV**OPTION: DOUBLE BULL/ SINGLE BULL**

This game is played just like Shooting I, however, only darts that land in the single, double, or triple areas of the following Target Area numbers will count towards the scorer: 15, 16, 17, 18, 19, 20, Bull's-eye. The game last seven rounds and the winner is the first one to win four rounds.

TROUBLE SHOOTING

No power	Please check and make sure the adapter is properly plugged in to the electrical outlet, and the plug is properly connected to the board.
Game will not score	Check to see if the game is in the setup mode or if the game is on hold or in the middle of score checking. Push the MISS (RESET) button for 2 seconds to see if the game will reset and re-start playing. You may also check to see if any scoring segments or function buttons are being stuck.
Stuck segment or button	During shipping or in the course of normal play, it is possible for the scoring segments to become temporarily stuck. If such a situation happens, all automated scoring functions will cease. By gently removing the dart or by wiggling the segment with your finger, you will be able to free the segment. The game may then be resumed and scoring functions will be back to normal.
Removing broken tips	Soft-Tips may break and remain in the board. In this case, try to pull them out gently with a pair of pliers. Note: the heavier the dart, the higher the chance of bending or breaking tip. You shall use the same kind of soft tips as those come with the game. Never use longer tips for this game. They break or crook more easily.
Power or electromagnetic interference	Should there be an electromagnetic interference, the electronics of the dartboard may possibly show erratic behavior or fail to continue working. (For example: a heavy thunderstorm, a power line surge, a rolling brown out, or too close proximity to an electrical motor or microwave.) To restore the game to normal operation, take out the power adaptor from the electrical outlet and the dartboard for 2 seconds.

Warranty void if dartboard has been opened/ dismantled.

SAFETY-NOTICE**WARNING!**

The supply-terminals are not to be short circuited. Only use recommended adapter (see mounting instructions). Adapter is not a toy! Avoid dartboard being subjected to extreme weather or temperature. Avoid dartboard being subjected to liquid or excessive moisture. Clean dartboard with damp cloth and/or mild detergent only.

Please disconnect the dartboard from the power supply before cleaning. Examine regularly adapter for any damage to their cord, plug, enclosure and other parts. In the event of such damage, don't use the dartboard until the damage has been repaired.

WARNING!

Darts is an adult sport not a toy. Not for use by children except under adult supervision. Please read instructions carefully. Do not aim darts at any human or person. Proper use of this game can avoid damage or injury.

RECYCLING



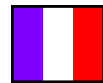
The 'crossed out dustbin' sign means that this product and its adapter cannot be thrown out with domestic waste. They should be treated apart. When you have finished with them, drop them at an authorised collection point so they can be recycled. This gesture will protect the environment and your health!

CARROMCO GmbH & Co. KG
Mühlenweg 144, 22844 Norderstedt, Germany
Tel.: +49 (0) 1805 25 63 63
service@carromco.com www.carromco.com

Please keep for future reference
MADE IN CHINA



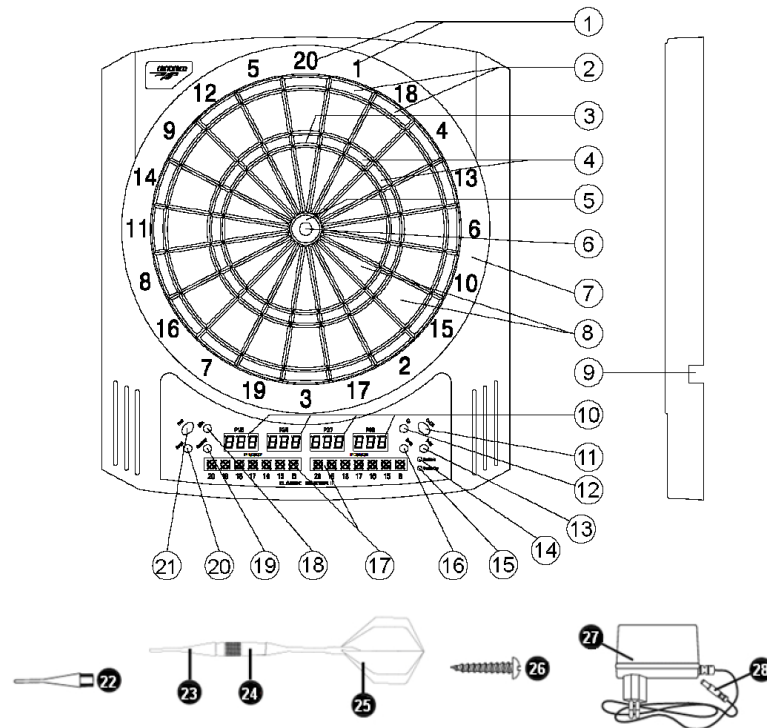
14+



FRANÇAIS


DESCRIPTION JEUX DE FLÉCHETTES ÉLECTRONIQUE (POINTE SOUPLE)

Universum Intro



- | | |
|--|------------------------------|
| 1. Numéros de secteur | 15. Double Out |
| 2. Couronne des doubles (x2) | 16. Bouton DOWN (Baisser) |
| 3. Plus haut score : triple 20 (60 points) | 17. Visualisation du Cricket |
| 4. Couronne des triples (x3) | 18. Bouton MISS (Raté) |
| 5. Extérieur Bull's Eye (25points) | 19. Bouton Handicap |
| 6. Intérieur Bull's Eye (50 points) | 20. Allumer/Éteindre le son |
| 7. Attrapeur (0 point) | 21. Bouton NEXT (Suivant) |
| 8. Couronne des simples (x1) | 22. Pointe de recharge x 20 |
| 9. Prise de l'adaptateur | 23. Pointe souple |
| 10. Visualisation du score | 24. Barrel |
| 11. Bouton marche/arrêt | 25. Tige et Ailettes |
| 12. Bouton UP (Monter) | 26. Vis x 2 |
| 13. Bouton ENTER (Entrer) | 27. Adaptateur 4,5V, 500mA |
| 14. Double In | 28. Fiche jack |

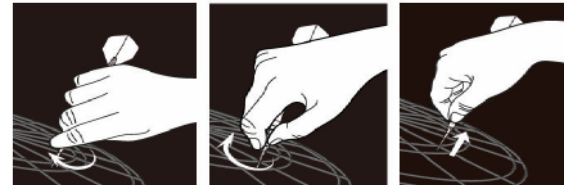
OUTILS NÉCESSAIRES POUR L'ASSEMBLAGE :
Tournevis et perceuse - (non fournis)

1. Préparer les fléchettes : Vissez la pointe et la tige dans le grip (barrel). Pour assembler une ailette supplémentaire, courbez-la pour lui donner la forme requise et insérez-la dans la tige.
 2. Accrochez la cible à l'aide des deux trous de suspension au dos de la cible. 2 vis de fixation murale sont fournies. Si les vis ne conviennent pas à votre mur, changez-les par des vis appropriées. Il doit y avoir une prise électrique à proximité. D'après les règles internationales des fléchettes, la cible doit être accrochée en sorte que le centre de son cercle central soit à 1,73 m du sol et que la ligne de lancer soit à 2,37 m de la cible.
 3. Marquez deux points sur le pilier mural d'installation à 192 cm (75 5/8 ») au-dessus du solet séparés de 14 cm (5 1/2 ») cm. Vissez deux vis au niveau des marques en laissant la tête de chaque vis dépasser de 13 mm (1/2') environ du mur.
 4. Alignez les trous de suspension au dos de la cible avec la tête des vis, puis accrochez la cible. Il peut être nécessaire de visser plus ou moins les vis pour que la cible repose complètement contre le mur.
Branchez l'adaptateur AC dans une prise murale et la fiche DC à la cible.
L'adaptateur AC doit correspondre aux spécifications suivantes : 230V, AC – 4,5V DC, 500 mA.
- 

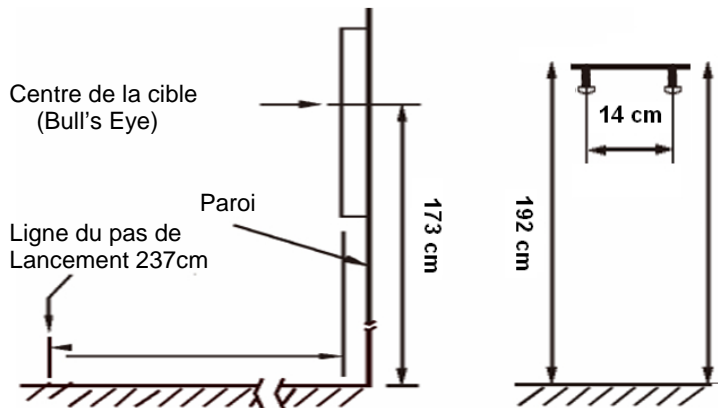
5. Familiarisez-vous avec les fonctions de votre cible avant de l'utiliser. Si vous pensez que la cible ne fonctionne pas correctement, merci de vous reporter à la section DÉPANNAGE de ce manuel.

RECOMMANDATIONS

Ce jeu est conçu pour être utilisé **UNIQUEMENT AVEC DES FLÉCHETTES A POINTE SOUPLE**. L'utilisation de fléchettes en acier peut endommager la cible. N'utilisez que la force nécessaire et la position adéquate pour lancer les fléchettes. Il n'est pas nécessaire de lancer les fléchettes avec force pour qu'elles restent fichées dans la cible. Le poids recommandé pour les fléchettes à pointe souple ne doit pas dépasser 16 grammes. Pour limiter les refus (Fléchette qui tape la cible sans se planter), vous devez utiliser le même type de fléchettes que celles fournies avec le jeu. Les pointes longues ne sont pas recommandées pour cette cible. Elles se cassent et se tordent plus facilement. Lorsque vous retirez une fléchette de la cible, si vous tournez légèrement la fléchette vers la droite tout en tirant, celle-ci se dégagera plus facilement.



INSTRUCTIONS DE MONTAGE



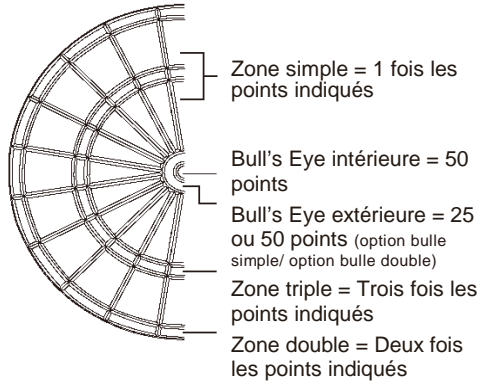
CALCUL DES POINTS

Tour

Chaque joueur lance
3 fléchettes par tour.

Tir raté ou ricochet de la fléchette

Toute fléchette lance est
considérée comme jouée.
Ainsi, tout tir raté ou situé en
dehors de la zone de
jeu est considéré.



PARAMÉTRAGES ET FONCTIONS

START
ON/OFF
(MARCHE/ARRÊT)

Appuyez sur le bouton marche/arrêt pour démarrer la configuration. À la mise sous tension de la cible, des effets lumineux et une mélodie de bienvenue sont joués. Quand la mélodie s'éteint, les zones d'affichage du joueur et du score affichent respectivement « G01 » et « 301 ».

**JEUX +
OPTIONS**
UP/DOWN
(MONTER/BAISSE)
ENTER
(ENTRER)

Sélectionnez le type de jeu (reportez-vous au tableau « SÉLECTION DES JEUX ») avec les boutons UP et DOWN. Quand le jeu désiré est affiché, appuyez sur le bouton ENTER pour confirmer. Sélectionnez l'option de jeu avec les boutons UP et DOWN. Quand l'option de jeu désirée est affichée, appuyez sur le bouton ENTER pour confirmer.

Certains jeux vous permettent de sélectionner Double In et/ou Double Out. Sélectionnez la fonction spéciale avec les boutons UP et DOWN (jeu G01). Quand la fonction spéciale désirée est affichée, appuyez sur le bouton ENTER pour confirmer.

JOUEUR
UP/DOWN
(MONTER/BAISSE)
ENTER
(ENTRER)

Sélectionnez le nombre de joueurs avec les boutons UP et DOWN. Au total, 9 sélections de joueurs sont disponibles : de 1 à 8 joueurs, plus un mode solo (cyber) joueur. Appuyez sur ENTER pour confirmer la sélection des joueurs.

SOLO (CYBER)
UP/DOWN
(MONTER/BAISSE)
ENTER
(ENTRER)

Si l'option que vous avez sélectionnée et confirmée est le mode solo (cyber) joueur, vous allez jouer contre l'ordinateur. Sélectionnez l'un des niveaux de solo (cyber) player avec les boutons UP et DOWN, puis appuyez sur ENTER pour démarrer la partie. Le mode solo (cyber) joueur compte cinq niveaux :
C1 : Débutant
C2 : Intermédiaire
C3 : Avancé
C4 : Expert
C5 : Professionnel
Appuyez sur ENTER pour confirmer le réglage du mode solo (cyber) joueur.

HANDICAP
HANDICAP
UP/DOWN
(MONTER/BAISSE)
ENTER
(ENTRER)

Dans certains jeux, le mode handicap peut être sélectionné après la sélection du nombre de joueurs (avant d'appuyer sur le bouton Enter). Appuyez sur Handicap pour entrer dans le mode de sélection du handicap. Puis appuyez sur Up/Down pour sélectionner l'option de handicap pour chaque joueur. Appuyez sur Handicap pour passer au joueur suivant.

**SINGLE/
DOUBLE BULL**
UP/DOWN
(MONTER/BAISSE)
ENTER
(ENTRER)

Si le jeu comporte des options Single/ Double Bull (bulle simple/double), sélectionnez-les avec les boutons UP et DOWN. Appuyez sur ENTER pour confirmer la sélection bull's eye simple/double.

**CHANGEMENT
DE JOUEUR**
NEXT
(SUIVANT)

Pendant la partie, l'ordinateur annonce « NEXT » (suivant), une pression sur les segments n'active pas la cible. Le joueur doit retirer toutes les fléchettes, puis appuyez sur NEXT pour passer au tour du joueur suivant. La cible bascule automatiquement dans le tour du joueur suivant sans action des joueurs dans les 10 secondes après l'annonce « NEXT ».

**AFFICHER
SCORES**
NEXT
(SUIVANT)

La partie est terminée quand il y a un gagnant ou quand tous les joueurs ont obtenu leur score final (reportez-vous aux règles de chaque jeu pour plus de détails). Utilisez le bouton NEXT pour afficher le score et le classement finaux de chaque joueur.

RATÉ
MISS (RATÉ)

Quand une fléchette atteint le filet de récupération des fléchettes ou rate la cible, appuyez sur MISS pour enregistrer un tir à 0.

REMISE
MISS (RATÉ)

Pour réinitialiser une partie, maintenez le bouton MISS appuyé 2 secondes.

SCORES
ENTER
(ENTRER)

Pendant une partie, vous pouvez appuyer sur ENTER pour afficher le score des autres joueurs.

FIN
ON/OFF
(MARCHE/ARRÊT)

Appuyez sur le bouton MARCHE/ARRÊT pour éteindre la cible. Afin d'économiser l'énergie, la cible intègre une fonction d'arrêt automatique. Après 30 minutes d'inutilisation, elle s'éteint automatiquement.

SON
SOUND (SON)

Cette cible est pourvue d'un bouton du son. Cela vous permet d'allumer ou d'éteindre le son pendant les parties.

SÉLECTION DES JEUX

Jeux	Description	Affichage	No. d'options/ variations	No. de joueurs
G01	301	3O1	7/56	1-8
G02	301 League	CO1	7/224	1-8
G03	CountUp	CUP	9/18	1-8
G04	Round the Clock	rCL	12	1-8
G05	Shanghai	Shi	4	1-8
G06	High Score	HiS	12/24	1-8
G07	Killer	LLr	30	2-8
G08	Shoot-out	S-0	19	1-8
G09	9 lives	9Li	7	2-8
G10	Cricket	Cri	3/6	1-8
G11	No Score Cricket	NSc	3/6	1-8
G12	Cut Throat Cricket	CUc	3/6	1-8
G13	Killer Cricket	LLc	3/6	2-8
G14	Scram Cricket	SCc	1/2	2
G15	Low Pitch Cricket	LPc	3/6	1-8
G16	English Cricket	Enc	1/2	2
G17	Double Only Cricket	dbc	3/6	1-8
G18	Color	CL2	5	1-8
G19	Bonus Color	bC2	5	1-8
G20	Correctional Color	CC2	5	1-8
G21	No score Color	NC2	5	2-8
G22	Free-Dart Color	FdC	4	1-8

Jeux	Description	Affichage	No. d'options/ variations	No. de joueurs
G23	Overs	orS	19/38	2-8
G24	Unders	Und	19/38	2-8
G25	Halve-it	HAL	1/2	1-8
G26	Big-6	biG	19	2-8
G27	Forty-One	For	1/2	1-8
G28	Bingo	bin	4	1-8
G29	Double Down	ddh	1/2	1-8
G30	21 points	21P	7	1-8
G31	Nine Dart Century	Ndc	3/6	1-8
G32	Football	Ftb	1	1-8
G33	Shooting I	S-1	1/2	1-8
G34	Shooting II	S-2	1/2	1-8
G35	Shooting III	S-3	1/2	1-8
G36	Shooting IV	S-4	1/2	1-8

OPTIONS HANDICAP

Jeux no.	Description	Options Handicap
G01	301	-20, -40, -60, -80 scores
G02	301 League	-20, -40, -60, -80 scores
G03	Count Up	+20, +40, +60, +80 scores
G05	Shanghai	+20, +40, +60, +80 scores
G06	High Score	+20, +40, +60, +80 scores
G07	Killer	-1, -2, -3, -4 vies
G08	Shoot out	+1, +2, +3, +4 scores
G09	9 Lives	-1, -2, -3, -4 vies
G18	Color	+20, +40, +60, +80 scores
G19	Bonus Color	+20, +40, +60, +80 scores
G20	Correctional Color	+20, +40, +60, +80 scores
G21	No score Color	-1, -2, -3, -4 vies
G22	Free-Dart Color	+20, +40, +60, +80 scores
G23	Overs	-1, -2, -3, -4 vies
G24	Unders	-1, -2, -3, -4 vies
G25	Halve-it	+20, +40, +60, +80 scores
G26	Big-6	-1, -2, -3, -4 vies
G27	Forty-One	+20, +40, +60, +80 scores
G29	Double Down	+20, +40, +60, +80 scores
G30	21 points	1, +2, +3, +4 scores

JOUER

- Le tour de chaque joueur est indiqué par P-1, P-2... P -8.
- Chaque joueur peut lancer 3 fléchettes par tour.
- Cette cible de fléchettes électronique peut afficher automatiquement les scores totaux et les objectifs.
- Always Attendez toujours que la cible ait fini de sonner avant de lancer les fléchettes.

RÈGLES DES JEUX

G01 301-999

OPTION : 301, 501, 601, 701, 801, 901, 999 / DOUBLE BULL/ SINGLE BULL

C'est le jeu de fléchettes le plus populaire, et le plus joué dans les ligues et tournois. Chaque joueur commence la partie avec 301 points (ou 501, 601, etc.). A la fin de chaque tour, la somme des trois lancers est soustraite du score du joueur. Le premier joueur dont le score tombe à 0 gagne la partie. La partie peut continuer jusqu'à ce que les 2e, 3e et 4e places soient déterminées.

Pour rendre le jeu plus intéressant, vous pouvez utiliser le bouton DOUBLE IN et/ou DOUBLE OUT afin de définir des restrictions supplémentaires fixant la manière dont la partie commence et se termine. Les choix sont les suivants :
SiO (Standard) : L'enregistrement du score commence et se termine quel que soit le nombre atteint. Le joueur peut terminer la partie en touchant un nombre ramenant le score à zéro. Si un joueur dépasse le score nécessaire pour ramener le total à zéro, on dit que le tour est un "bust" et le score retrouve son niveau précédent le tour.

DiO - Double In : Le score commence à être comptabilisé lorsqu'un nombre de la couronne des doubles ou le double de bull's eye est touché. Aucun résultat n'est comptabilisé avant que cette condition n'ait été remplie.

SdO - Double Out : Pour gagner, un joueur doit atteindre un nombre de la couronne des doubles ou le double de bull's eye qui ramène le score à zéro. Si le résultat ramène le score à 1 ou est supérieur au résultat nécessaire pour ramener le score à zéro, on considère que le tour est un "bust" et le score retrouve son niveau précédent le tour. (1 est également considéré comme un "bust", car il est impossible de ramener le score exactement à zéro en touchant un double)

diS – Double In + Double Out : L'enregistrement du score commence quand un double ou bull's eye est atteint, il se termine quand un double ou bull's eye est atteint en réduisant le score exactement à zéro.

G02 301-999 LEAGUE

OPTION : 301, 501, 601, 701, 801, 901, 999 / DOUBLE BULL/ SINGLE BULL

C'est la version par équipe du jeu 301-999, elle est très prisée dans les ligues. Il y a toujours 2 équipes et un maximum de 4 joueurs par équipe. Par exemple : les joueurs 1 et 3 jouent contre les joueurs 2 et 4. La partie se joue selon les mêmes règles que le 301-999 individuel.

Options : 2C, 3 C, 4 C, Cyb

2C : 2 joueurs par équipe

3C : 3 joueurs par équipe

4C : 4 joueurs par équipe

Cyb : 1 joueur par équipe

G03 COUNT UP

OPTION : 100, 200, 300, 900 / DOUBLE BULL/ SINGLE BULL

C'est un jeu simple accessible à tous. L'objectif est de battre les autres joueurs en étant le premier à atteindre un score prédéfini. Les réglages disponibles sont : 100, 200, 300, 400, 500, 600, 700, 800 et 900. Chaque joueur doit essayer d'obtenir le maximum de point dans chacun de ses tours. Le score final peut être supérieur au score prédéfini.

G04 ROUND THE CLOCK

OPTION : 105, 110, 115, 120, 205, 210, 215, 220, 305, 310, 315, 320

Les joueurs essaient de toucher dans l'ordre les nombres (en fonction de l'option choisie) 1 à 5, 1 à 10, 1 à 15, ou 1 à 20. Quand un nombre est touché, le joueur doit toucher le nombre suivant. Le premier joueur à atteindre et toucher le dernier nombre gagne. Sélectionnez l'option :

105,110,115,120 : Le dernier nombre est respectivement 5,10, 15 et 20 que ce soit un simple, un double ou un triple

205,210,215,220 : Le dernier nombre est respectivement 5,10, 15 et 20 seuls les doubles comptent.

305,310,315,320 : Le dernier nombre est respectivement 5,10, 15 et 20 seuls les triples comptent.

G05 SHANGHAI

OPTION : L01, L05, L10, L15

Ce jeu est semblable à L'Horloge. Les joueurs commencent en visant le nombre 1 (ou 5 ou 10 ou 15), puis tous les nombres jusqu'à 20 et bull's eye. Si le joueur touche un nombre différent que celui venant dans l'ordre, le lancer est considéré comme manqué. Si le joueur touche un double ou un triple, les points obtenus sont calculés en multipliant le nombre par 2 ou 3 selon le cas. Les scores sont cumulatifs. Le gagnant est le joueur dont le score est le plus élevé. Sélectionnez l'option :

Option L01 : La partie débute par le segment 1.

Option L05 : La partie débute par le segment 5.

Option L10 : La partie débute par le segment 10.

Option L15 : La partie débute par le segment 15.

G06 HIGH SCORE

OPTION : H03, H04,..... H13, H14 / DOUBLE BULL/ SINGLE BULL

Ce jeu est semblable au Count-Up, mais la partie s'achève après le nombre de tours sélectionné. Le joueur ayant le score le plus élevé gagne. Sélectionnez l'une des options, de H03 à H14, correspondant au nombre de tours, de 3 à 14.

G07 KILLER

Le but du jeu est de tuer les adversaires et de rester en vie. Le gagnant est le dernier joueur en vie. Dans les options 303 – 321, les Bull et Bull's eye ne sont pas pris en compte. Ces zones sont désactivées. Chaque joueur doit atteindre son segment/numéro. « SEL » s'affiche à ce moment. Si un joueur rate la cible,

atteint le Bull's eye ou atteint un segment/numéro déjà atteint par un autre joueur, il doit effectuer à nouveau son lancer. Une fois que chaque joueur a un numéro, la partie commence. Chaque joueur essaie d'atteindre son numéro pour pouvoir devenir un « tueur ». Après être devenu un tueur, un joueur doit « tuer » ses adversaires en atteignant leur segment/numéro respectif jusqu'à ce qu'ils aient perdu toutes leurs « vies ». Si un tueur atteint son propre segment/numéro, il perd son statut de tueur et une vie. Pour récupérer le statut de « tueur », il doit atteindre à nouveau son segment/numéro. Le dernier survivant gagne la partie. Pour rendre le jeu plus difficile, les joueurs doivent atteindre le double (ou le triple) de leur segment/numéro respectif pour devenir des « tueurs ».

Sélectionnez le nombre de vies et les segments de difficulté (tous les segments, le double ou le triple) avec les options 003 à 321 qui représentent de 3 à 21 vies et les segments de difficulté.

Option	Vies	Zone de tir (killer)
003	3	simple, double, triple
005	5	simple, double, triple
.....	...	simple, double, triple
021	21	simple, double, triple
203	3	Double
205	5	Double
...	Double
221	21	Double
303	3	Triple
305	5	Triple
....	Triple
321	21	Triple

G08 SHOOT-OUT

OPTION : -03, -04, -05 -19, -20, -21

L'ordinateur affiche aléatoirement un nombre que le joueur doit atteindre. Si le joueur atteint le segment correspondant, il marque un point. Le premier joueur à atteindre 3, 4,.... 21 en fonction du niveau de difficulté, gagne la partie. Si un joueur n'atteint pas la cible dans les 10 secondes, la cible indique automatiquement un autre nombre à atteindre et elle compte ce tour comme si le joueur avait atteint un mauvais numéro. Dans ce jeu, les doubles et les triples comptent pour des simples.

G09 LIVES

OPTION : 003, 004, 005, 006, 007, 008, 009

Dans ce jeu, il faut atteindre dans l'ordre les numéros 1 à 20 et le Bull's eye, puis recommencer. Les joueurs lancent à tour de rôle et doivent atteindre 1 au premier tour, 2 au second tour, et ainsi de suite jusqu'à « 25 » au 21e tour, 1 au 22e tour et ainsi de suite. Chaque joueur doit atteindre le numéro de la cible avec une flèche à chaque tour. Un joueur perd une vie si ses 3 lancers ratent l'objectif. Le dernier joueur encore en vie gagne la partie.

003, 004, 005..... 009 représentent respectivement 3, 4, 5 9 vies.

G10 SIMPLE CRICKET

OPTION : C00, C20, C25 / DOUBLE BULL/ SINGLE BULL

Cricket est un jeu très populaire. Vous ne pouvez jouer qu'avec les segments des nombres 15 à 20 et bull's eye. Chaque joueur lance 3 fléchettes. Un segment doit être atteint trois fois par un joueur pour que ce segment lui soit ouvert. Ensuite, il peut marquer des points avec ce segment ouvert. Si un ou plusieurs adversaires atteignent également ce segment trois fois, il est fermé. Aucun point ne peut être comptabilisé avec un segment fermé. Les segments doubles ou triples comptent pour 2 ou 3 touchers.


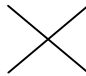
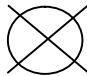
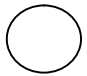
Les segments peuvent être ouverts et fermés dans l'ordre déterminé par l'option sélectionnée.

Le gagnant est le joueur qui ferme le plus de segments et obtient le score le plus élevé. La stratégie consiste donc à décider de fermer un segment ou d'accumuler d'abord des points. Car si le joueur ayant fermé le plus de segments à un score moins élevé, il ne peut pas gagner la partie. Quand tous les segments ont été fermés, la partie est terminée. Le gagnant est le joueur dont le score est le plus élevé. Sélectionnez l'option :

C00 : Les segments peuvent être ouverts dans n'importe quel ordre.

C20 : Le segment du nombre 20 doit être ouvert en premier, puis les autres segments doivent être ouverts dans l'ordre suivant : 19, 18, 17, 16, 15 et bull's eye.

C25 : Bull's eye doit être ouvert en premier, puis les autres segments doivent être ouverts dans l'ordre suivant : 15, 16, 17, 18, 19 et 20.

Cricket	Une fois	Deux fois	Ouvert	Fermé
Sign				

G11 NO SCORE CRICKET

OPTION : 000, 020, 025 / DOUBLE BULL/ SINGLE BULL

Ceci est une version simplifiée du Cricket. L'objectif est de fermer tous les nombres le plus vite possible. Aucun point n'est accordé si un nombre fermé est touché, et ce, quel que soit le moment de la partie.

Par conséquent, une fois qu'un nombre a été touché trois fois, vous devez viser les autres nombres. Le gagnant est celui qui, le premier, touche chaque nombre trois fois. Sélectionnez l'option :

000 : Les segments peuvent être ouverts dans n'importe quel ordre.

020 : Le segment du nombre 20 doit être ouvert en premier, puis les autres segments doivent être ouverts dans l'ordre suivant : 19, 18, 17, 16, 15 et bull's eye.

025 : Bull's eye doit être ouvert en premier, puis les autres segments doivent être ouverts dans l'ordre suivant : 15, 16, 17, 18, 19 et 20.

G12 CUT THROAT CRICKET**OPTION : 00C, 20 C, 25 C / DOUBLE BULL/ SINGLE BULL**

Il s'agit de la version inverse de Cricket pour le décompte des points, qui se joue généralement à trois joueurs. Deux des joueurs peuvent s'allier contre le troisième pour l'éliminer avant de s'affronter entre eux.

Après qu'un numéro a été fermé, les points obtenus en touchant ce nombre sont additionnés aux scores des autres joueurs sauf quand ceux-ci ont déjà fermé le nombre en question. Le score le plus élevé est perdant. Le gagnant est le premier joueur ayant fermé tous les numéros dont le score est le plus bas. Si un joueur a fermé tous les nombres en premier, mais a un score plus élevé, il/elle doit continuer de lancer pour accroître les scores des autres joueurs jusqu'à ce qu'ils soient égaux ou supérieurs au sien. Par conséquent, la meilleure stratégie consiste à fermer tous les numéros le plus vite possible pour empêcher les autres joueurs d'augmenter votre score et pour pouvoir les pénaliser en augmentant le leur. Sélectionnez l'option :

00C : Les segments peuvent être ouverts dans n'importe quel ordre.

20C : Le segment du nombre 20 doit être ouvert en premier, puis les autres segments doivent être ouverts dans l'ordre suivant : 19, 18, 17, 16, 15 et bull's eye.

25C : Bull's eye doit être ouvert en premier, puis les autres segments doivent être ouverts dans l'ordre suivant : 15, 16, 17, 18, 19 et 20.

G13 KILLER CRICKET**OPTION : H00, H20, H25 / DOUBLE BULL/ SINGLE BULL**

Ce jeu ressemble beaucoup au No Score Cricket, avec un raffinement supplémentaire. Quand un nombre est ouvert, un joueur peut annuler les marques obtenues par les autres joueurs en touchant le même nombre une nouvelle fois. Toutefois, si l'autre joueur a également fermé ce numéro aucune marque ne sera retirée à ce joueur. Le gagnant est le joueur qui ferme tous les segments en premier. Sélectionnez l'option :

H00 : Les segments peuvent être ouverts dans n'importe quel ordre.

H20 : Le segment du nombre 20 doit être ouvert en premier, puis les autres segments doivent être ouverts dans l'ordre suivant :

19, 18, 17, 16, 15 et bull's eye.

H25 : Bull's eye doit être ouvert en premier, puis les autres segments doivent être ouverts dans l'ordre suivant : 15, 16, 17, 18, 19 et 20.

G14 SCRAM CRICKET**OPTION : Double Bull, Single Bull**

Chaque joueur lance et doit atteindre les segments/numéros 15 – 20 et le Bull/Bull's eye. L'un des joueurs est le lanceur et peut marquer des points, alors que l'autre joueur est le stoppeur et doit atteindre une fois chaque segment/numéro et le Bull/Bull's eye pour le fermer. Le lanceur ne peut plus marquer de point avec les segments/numéros fermés. Le lanceur change quand tous les segments/numéros ont été fermés. L'autre joueur devient alors le lanceur. Le but de chaque joueur est de marquer le plus de points. Le gagnant est le joueur dont le score est le plus élevé après deux tours.

G15 LOW PITCH CRICKET**OPTION : E00, E20, E25 / DOUBLE BULL/ SINGLE BULL**

Dans cette version du Cricket, on utilise les secteurs correspondants aux chiffres inférieurs de la cible pour ne pas toujours viser les secteurs du Cricket standard. Les joueurs doivent fermer les nombres 1, 2, 3, 4, 5, 6 et bull's eye. Toutes les autres règles sont identiques à celles du Cricket classique.

Sélectionnez l'option :

E00 : Les segments peuvent être ouverts dans n'importe quel ordre.

E20 : Le segment du nombre 20 doit être ouvert en premier, puis les autres segments doivent être ouverts dans l'ordre suivant :

6, 5, 4, 3, 2, 1 et œil de-boeuf.

E25 : Bull's eye doit être ouvert en premier, puis les autres

segments doivent être ouverts dans l'ordre suivant : 1, 2, 3, 4, 5 & 6.

G16 ENGLISH CRICKET**OPTION : Double Bull, Single Bull**

Ce jeu se joue à 2 et comprend deux rounds. Le joueur 1 doit atteindre le Bull ou le Bull's eye 9 fois (9X) pour le fermer. Le Bull's eye compte double. Le joueur 2 doit obtenir autant de points que possible. 40 points sont déduits du score obtenu après chaque tour (3 fléchettes). Quand le joueur 1 a atteint le Bull/Bull's eye 9 fois (9X) et l'a fermé, les rôles sont inversés. À la fin du deuxième round, le joueur qui a le plus de points gagne la partie.

G17 DOUBLE ONLY CRICKET**OPTION : L00, L20, L25, Double Bull, Single Bull**

Le Double Only Cricket se joue comme le Cricket sauf que le double de chaque numéro de cricket spécifié doit être atteint pour que le joueur puisse marquer des points avec ce numéro. Après qu'un double a été atteint, le numéro est ouvert. Ensuite, ce double et tous les autres doubles, triples et simples de ce numéro comptent. Par exemple, pour pouvoir marquer des points avec le 20, chaque joueur doit atteindre le double 20. Après l'avoir atteint, un simple 20 ferme le numéro, un double l'ouvre et marque 20 points, et un triple l'ouvre et marque 40 points. Il est donc impossible d'ouvrir/fermer un numéro avec une seule fléchette.

G18 COLOR**OPTION : 100, 200, 300, 400, 500**

Pour commencer la partie, chaque joueur doit lancer une fléchette afin de déterminer qui devra toucher quel bloc/couleur (#20 couleur, ou #1 couleur). (Si un joueur touche bull's eye, il doit procéder à un nouveau lancer pour déterminer la couleur). Ensuite, les joueurs doivent essayer de toucher leur couleur cible afin de d'augmenter leur score pour atteindre l'objectif de score (qui doit être fixé au début de la partie dans les options de jeu "Game Options": 100, 200, 300, 400 ou 500). Si un joueur touche la couleur d'un autre joueur, aucun point n'est comptabilisé. Bull's eye compte pour votre score. Le premier joueur à atteindre l'objectif de score défini au début de la partie gagne.

G19 **BONUS COLOR****OPTION : 100, 200, 300, 400, 500**

Ce jeu se joue comme « Color » avec une différence. Si un joueur touche la couleur d'un autre joueur, alors les points s'ajoutent au score de cet autre joueur. Sélectionnez l'une des options, de 100 à 500, correspondant au nombre de scores, de 100 à 500.

G20 **CORRECTIONAL COLOR****OPTION : 100, 200, 300, 400, 500**

Ce jeu se joue comme « Color » avec une différence. Si un joueur touche la couleur d'un autre joueur, les points sont déduits de son propre score. Sélectionnez l'une des options, de 100 à 500, correspondant au nombre de scores, de 100 à 500.

G21 **NO SCORE COLOR****OPTION : 003, 004, 005, 006, 007**

Ce jeu se joue comme « Color » avec une différence. Chaque joueur essaye de toucher leur couleur cible pour marquer un point. Si un joueur touche la couleur d'un autre joueur, un point lui est retiré, de plus ce joueur perd son tour. (Bull's Eye compte pour votre score). Le gagnant est le joueur qui a encore des points (alors que tous les autres sont à zéro). L'objectif de score doit être fixé au début de la partie dans les options de jeu "Game Options" : 3, 4, 5, 6, ou 7 points.

G22 **FREE-DART COLOR****OPTION : 005, 010, 015, 020**

Ce jeu se joue comme « Color » avec une différence. Chaque joueur essaye de toucher sa couleur pour obtenir le score le plus élevé possible. Si un joueur touche la couleur d'un autre joueur, aucun point n'est rajouté à son score. (L'œil-de-boeuf compte pour votre score). Le joueur dont le score est le plus élevé à l'issue de tous les lancers a gagné. Le nombre total de lancers auxquels a droit chaque joueur est fixé au début de la partie dans les options de jeu "Game Options" : 5, 10, 15, ou 20 lancers.

G23 **OVERS****OPTION : O03, O04...O20, O21 / DOUBLE BULL/ SINGLE BULL**

C'est un jeu simple et rapide. Chaque joueur doit atteindre un score égal ou supérieur au score le plus élevé obtenu au tour précédant. Si un joueur à l'issue de ses trois lancers obtient un score inférieur, il perd une "vie". Chaque joueur a trois vies. Le dernier joueur "en vie" gagne la partie. Sélectionnez l'une des options, de O03 à O21, correspondant au nombre de vies, de 3 à 21.

G24 **UNDERS****OPTION : U03, U04... U20, U21 / DOUBLE BULL/ SINGLE BULL**

Ce jeu est similaire à Overs, sauf que l'objectif est de battre le total le plus bas obtenu avec trois lancers. Si le total obtenu avec trois lancers est supérieur, le joueur perd une "vie". Chaque joueur a trois vies. Le dernier joueur "en vie" gagne la partie. Si un joueur passe son lancer ou touche une zone autre que celles comptant pour les points, il est pénalisé de 60 points (3 x 20, le maximum

possible par lancer). Le dernier joueur "en vie" gagne la partie. Sélectionnez l'une des options, de U03 à U21, correspondant au nombre de vies, de 3 à 21.

G25 **HALVE- IT****OPTION : DOUBLE BULL/ SINGLE BULL**

Tous les joueurs commencent le jeu en devant toucher le nombre 12, puis 13, 14, n'importe quel Double, 15, 16, 17, n'importe quel Triple, 18, 19, 20, et ensuite bull's eye. Chaque joueur lance trois fléchettes sur le même nombre, puis passe au nombre supérieur au tour suivant. Tous les points sont additionnés. Les Doubles et Triples comptent pour le nombre touché x2 et x3. Si un joueur rate ses trois lancers, son score est divisé par deux. A la fin du jeu, le gagnant est celui dont le score est le plus élevé.

Tour	12	13	14	D	15	16	17	T	18	19	20	B	Totalement
Joueur													

D : Doubles

T : Triples

B : Bull's eye

G26 **BIG-6****OPTION : b03, b04, b 05... b19, b20, b21**

Le jeu commence par le 6 simple. Sur ses trois lancers, un joueur doit arriver à toucher la zone cible pour conserver ses vies. Si le joueur réussit à toucher la zone cible avec son premier ou deuxième lancer, il a la possibilité avec un lancer d'essayer d'atteindre l'une des zones cibles de ses adversaires. Simples, Doubles et Triples sont considérés comme des cibles différentes. La stratégie consiste à choisir la cible la plus difficile pour les adversaires, telle que le « triple - 20 » ou « double - bull's eye ». Le dernier joueur "en vie" gagne la partie. Sélectionnez l'une des options, de b03 à b21, correspondant au nombre de vies, de 3 à 21.

G27 **FORTY-ONE****OPTION : DOUBLE BULL/ SINGLE BULL**

Chaque joueur commence la partie en lançant pour atteindre le numéro 20, puis 19, 18, 17, 16, 15, Bull's eye, et avoir un total de 41 points. Chaque joueur lance trois fléchettes sur le même numéro, puis passe au numéro suivant au tour suivant. Toutes les points marqués sont additionnés, les doubles comptent double et les triples comptent triple. Un round supplémentaire de 41 points est inclus après le Bull's eye et le joueur doit réaliser ce défi pour terminer ce dernier round (41 est la somme à obtenir en lançant 3 fléchettes dans l'ordre). À la fin de la partie, le joueur qui a le plus de points gagne la partie.

	20	19	18	17	16	15	B	41	Totalement
Joueur 1									
Joueur 2									

B : Bull's eye

G28 **BINGO****OPTION : 132, 141, 168, 189**

La cible affiche automatiquement le segment cible. Le gagnant est le premier joueur à atteindre trois fois tous les segments cibles spécifiés.

132 – Il faut atteindre les segments dans l'ordre suivant : 15, 4, 8, 14, 3.

141 – Il faut atteindre les segments dans l'ordre suivant : 17, 13, 9, 7, 1.
 168 – Il faut atteindre les segments dans l'ordre suivant : 20, 16, 12, 6, 2.
 189 – Il faut atteindre les segments dans l'ordre suivant : 19, 10, 18, 5, 11.
 Un joueur doit atteindre trois fois un segment/numéro pour pouvoir passer au segment/numéro suivant. Atteindre un simple compte pour un, atteindre un double compte pour deux, atteindre un triple compte pour trois.

G29 DOUBLE DOWN

OPTION : DOUBLE BULL/ SINGLE BULL

Au début de la partie, chaque joueur a un score de 40. Les joueurs doivent atteindre les segments actifs du round en cours pour marquer des points. Par exemple dans le premier round, les joueurs doivent essayer d'atteindre le segment 15. Si un joueur n'arrive pas à l'atteindre, son score est divisé par deux. Au round suivant, il faut atteindre 16, et ainsi de suite. Pour D et T, les joueurs doivent atteindre n'importe quel double ou triple, les règles sont les mêmes. Le gagnant est le joueur ayant le score le plus élevé.

	15	16	D	17	18	T	19	20	B	Totalement
Joueur 1										
Joueur 2										

D : Doubles T : Triples B : Bull's eye

G30 21 POINTS

OPTION : 005, 006, 007, 008, 009, 010, 011

L'objectif de ce jeu est d'obtenir le plus de points. Un joueur peut obtenir un point de deux manières :

1. Il marque un score de 21 exactement avec 1, 2 ou 3 flèches, ou
2. Obtient le plus haut score inférieur à 21 (si aucun joueur n'atteint 21 dans ce tour) Le joueur « saute » si son score dépasse 21 et il ne peut alors pas obtenir de point dans ce tour. À la fin de la partie, le joueur ayant le plus de points gagne la partie. Sélectionnez l'une des options, de 005 à 011, correspondant au nombre de tours, de 5 à 11.

G31 NINE DART CENTURY

OPTION : 100, 150, 200, DOUBLE BULL/ SINGLE BULL

Les options sont les scores cibles, comme indiqué dans le tableau ci-dessous :

Option	100	150	200
Score cible	100 points	150 points	200 points

Dans ce jeu, chaque joueur a 9 fléchettes (trois tours) pour atteindre ou approcher le plus possible le score de 100 (150 ou 200) points sans le dépasser. Si un joueur dépasse ce score, il est éliminé. La cible annonce « BUST ». Si une fléchette n'atteint pas la zone de marquage, le score du joueur est ramené à zéro. Les fléchettes qui ratent la cible ne provoquent pas de pénalité et ne comptent pas dans le score. Le numéro de la cible atteint correspond aux nombres de points marqués par le joueur. Pour le décompte des points, les doubles comptent doubles et les triples comptent triples. Le gagnant est le joueur qui s'approche le plus du score cible sans le dépasser.

G32 FOOTBALL

Les joueurs doivent d'abord sélectionner leur zone de jeu en lançant une fléchette sur la cible. Une fois sa zone de jeu sélectionnée, un joueur doit atteindre un double pour commencer à marquer des points, ensuite il doit atteindre le Bull's eye et les segments opposés dans l'ordre. Le statut d'un joueur est indiqué par l'affichage. Par exemple, si un joueur sélectionne le segment 11, il doit atteindre D-11, S-11, T-11, S-11, le Bull's eye extérieur, le Bull's eye intérieur, le Bull's eye extérieur, S-6, T-6, S-6, puis terminer avec D-6. Le gagnant est le premier joueur à terminer sa zone de jeu.

G33 SHOOTING I

OPTION : DOUBLE BULL/ SINGLE BULL

Dans ce jeu, chaque joueur lance trois fléchettes. Le joueur avec le score le plus élevé remporte la manche. Le premier joueur ayant remporté 7 manches gagne la partie.

G34 SHOOTING II

OPTION : DOUBLE BULL/ SINGLE BULL

Ce jeu se joue comme Shooting I, la différence étant que seules les fléchettes ayant touché les zones simple, double et triple des nombres suivants rapportent des points : 15, 16, 17, 18, 19, 20, bull's eye. Le premier joueur ayant remporté 7 manches gagne la partie.

G35 SHOOTING III

OPTION : DOUBLE BULL/ SINGLE BULL

Ce jeu se joue comme Shooting I. Le jeu dur 7 manches. Le premier joueur ayant remporté 4 manches gagne la partie.

G36 SHOOTING IV

OPTION : DOUBLE BULL/ SINGLE BULL

Ce jeu se joue comme Shooting I, mais seules les fléchettes ayant touché les zones simple, double et triple des nombres suivants rapportent des points : 15, 16, 17, 18, 19, 20, bull's eye. Le premier joueur ayant remporté 4 manches gagne la partie.

ÉPANNAGE

Absence d'alimentation	Merci de vérifier et de vous assurer que l'adaptateur AC est correctement branché au secteur, et que la fiche DC est correctement branchée à la prise jack DC de la cible.
Pas de décompte du score	Vérifiez que vous n'êtes pas en mode paramétrage, ou que le jeu est sur pause ou que le score est en train d'être compté. Maintenez le bouton MISS appuyé 2 secondes pour voir si la partie commence. Vous pouvez également vérifier qu'aucun segment de marquage ni aucun bouton de
Segment ou bouton coincé	Durant le transport et au cours d'une utilisation normale, il est possible que des segments se retrouvent temporairement coincés. Si cela se produit, toutes les fonctions automatiques de décompte des scores s'interrompent. En retirant délicatement la fléchette ou en remuant doucement le segment avec votre doigt, vous pourrez le décoincer. Le jeu peut alors reprendre, et le décompte des scores retourne à la normale.
Retirer les pointes cassées	Les pointes souples peuvent se casser et rester fichées dans la cible. Si cela se produit, essayez de les retirer délicatement avec des pinces. Note : plus une fléchette est lourde, plus sa pointe risque de se tordre ou de se rompre.
Interférences électriques ou électromagnétiques	En cas d'interférences électromagnétiques, les composants électroniques de la cible peuvent avoir un fonctionnement dégradé ou cesser de fonctionner. (Par exemple dans le cas d'un orage violent, d'une surtension, d'une tension insuffisante ou de la proximité d'un moteur électrique ou d'un four à micro-ondes). Pour retourner à la normale, débranchez l'adaptateur secteur de la prise électrique et de la cible, et laissez-le débranché 2 secondes. Veuillez également à retirer la source des interférences.

La garantie est nulle si la cible est ouverte ou démontée.

CONSIGNES DE SÉCURITÉ

AVERTISSEMENT!

Le transformateur ne doit pas être court-circuité.

N'utilisez que l'adaptateur SC recommandé (voir instructions de montage).

L'adaptateur n'est pas un jouet! Il ne faut pas exposer la cible à des températures ou à des conditions climatiques extrêmes. Il ne faut pas exposer la cible à du liquide ou à une humidité excessive. Il ne faut nettoyer la cible qu'avec un chiffon humide et/ou un produit nettoyant doux.

Merci de déconnecter la cible de son alimentation avant nettoyage.

Il faut examiner régulièrement l'adaptateur AC, pour vérifier que leurs corde, fiche, boîtier et autres éléments ne sont pas endommagés. Si une pièce est

endommagée, n'utilisez pas la cible tant que la pièce incriminée n'a pas été réparée.

AVERTISSEMENT : Le jeu de fléchettes est un sport pour adultes. Il ne convient pas aux enfants, sauf sous la surveillance d'un adulte. Merci de lire attentivement les instructions. Ne visez jamais une personne ou un animal avec les fléchettes. L'utilisation conforme de ce jeu peut permettre d'éviter des dégradations et blessures. ATTENTION! Il est recommandé de n'utiliser que des fléchettes à pointe élastique ou souple. Les pointes en acier peuvent endommager l'appareil.

RECYCLAGE



Le symbole « une poubelle barrée » signifie que ce produit et son adaptateur ne doivent pas être jetés avec les déchets domestiques. Ils doivent être traités séparément. Quand vous avez décidé de les jeter, déposez-les dans un point de collecte autorisé pour qu'ils soient recyclés. Ce geste permettra de protéger l'environnement et votre santé!

CARROMCO GmbH & Co. KG

Mühlenweg 144, 22844 Norderstedt, Germany

Tel. : +49 (0) 1805 25 63 63

service@carromco.com www.carromco.com

Merci de conserver la présente notice pour toute référence future
FABRIQUE EN CHINE



14+



LDPE



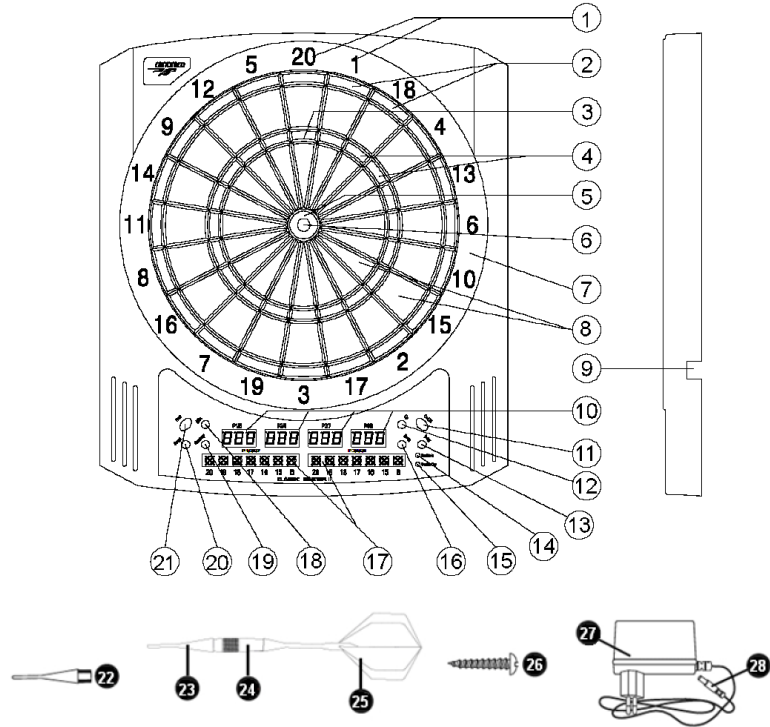
PAP



DESCRIPCIÓN JUEGO DE DARDOS DE PUNTA BLANDA

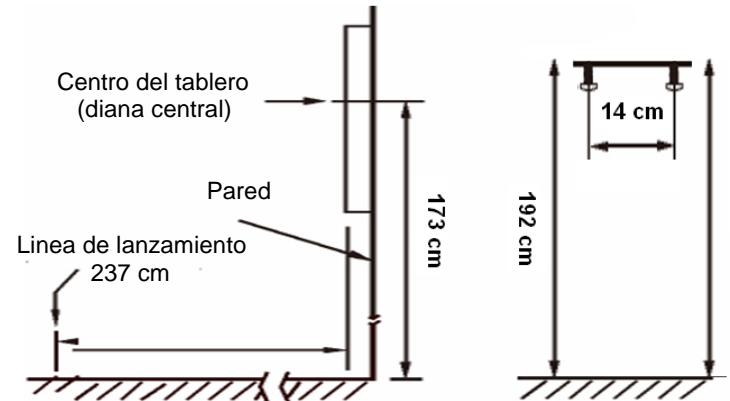
ESPAÑOL

Universum Intro




- | | |
|--------------------------------|---------------------------------|
| 1. Números de los segmentos | 15. Salida con doble |
| 2. Anillos dobles (x2) | 16. Botón DOWN (abajo) |
| 3. Triple 20 Puntuación máxima | 17. Pantalla de Cricket |
| 4. Anillos triples (x3) | 18. Botón MISS (fallo) |
| 5. Blanco externo (25 puntos) | 19. Botón Handicap |
| 6. Blanco interno (50 puntos) | 20. Sonido activado/desactivado |
| 7. Zona de captura (0 puntos) | 21. Botón NEXT (siguiente) |
| 8. Anillos sencillos (x 1) | 22. 20 puntas de repuesto |
| 9. Toma para el adaptador | 23. Punta blanda |
| 10. Revisión de la puntuación | 24. Barril |
| 11. Botón encendido/apagado | 25. Eje y vuelo |
| 12. Botón UP (arriba) | 26. 2 tornillos |
| 13. Botón ENTER (intro) | 27. Adaptador 4,5V, 500mA |
| 14. Inicio con doble | 28. Enchufe |

INSTRUCCIONES DE MONTAJE



HERRAMIENTAS NECESARIAS PARA EL MONTAJE:

Destornillador y taladro - (no se incluyen)

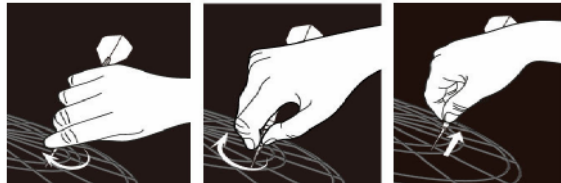
1. Preparación de los dardos: Atornille el pincho (punta) y el eje en el agarre (barril). Si tiene vuelos extra, dóblelos para darles forma y colóquelos en el eje.
 2. Cuelgue la diana usando los dos orificios de montaje ubicados en su parte posterior. 2 tornillo incluidos para montar en pared. Si los tornillos no son apropiados para su pared, cámbielos por otros. Debe haber una toma de corriente cerca. Según las normas internacionales de partidas de dardos, la diana debe quedar colgada de forma que la altura desde el suelo al círculo central de la diana sea de 1,73 m (68 pulgadas) y la distancia desde la línea de lanzamiento hasta la diana sea de 2,37 m (7 pies 91/4 pulgadas).
 3. Haga dos marcas paralelas en la pared seleccionada a una altura de 192 cm (75 5/8") del suelo y 14 cm (5 1/2") de distancia entre ellas. Atornille dos tornillos en las marcas de referencia hasta que las cabezas sobresalgan unos 13 mm (1/2") de la pared.
 4. Ponga en línea los orificios de montaje ubicados en la parte posterior de la diana con las cabezas de los tornillos y, a continuación, monte el juego. Puede ser necesario ajustar los tornillos hasta que la diana quede bien pegada a la pared.
 5. Conecte el adaptador de AC (opcional) a la toma de corriente de la pared y el enchufe de DC a la diana. El adaptador de AC debe ser de 230V, AC – 4,5V DC, 500mA.
- 
6. Familiarícese con el manejo de su diana antes de utilizarla. Si sospecha que la diana no funciona correctamente, por favor, consulte en primer lugar, la sección SOLUCIÓN DE PROBLEMAS de este manual.

CONSEJOS Y GUÍA

Este juego está diseñado para emplear ÚNICAMENTE DARDOS DE PUNTA BLANDA. El empleo de dardos de punta metálica dañará la diana. Utilice una postura y una fuerza adecuadas para el lanzamiento de los dardos. No es necesario lanzarlos con mucha fuerza para que se peguen a la diana. Se recomienda un peso de los dardos de punta blanda que no sea superior a los 16 gramos.

Para reducir el número de rebotes, debe emplear dardos de punta blanda del mismo tipo de los que se suministran con el juego. No se recomiendan puntas largas para este juego. Se pueden romper o doblar con más facilidad.

Al retirar un dardo de la diana, gírelo muy ligeramente hacia la derecha mientras tira del dardo, para que la operación resulte más sencilla.



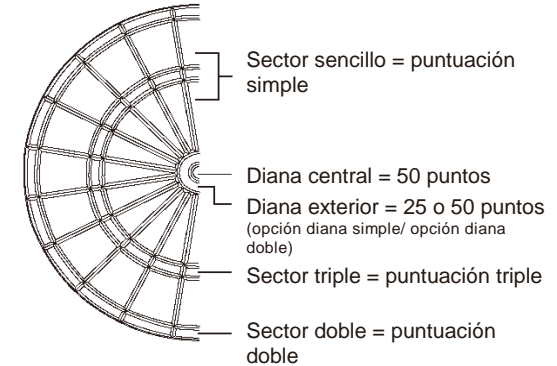
PUNTOS DE CÁLCULO

Una ronda

Una ronda comprende tres lanzamientos de dardos.

Rebotes y tiros fallidos

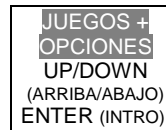
Cada dardo que rebote o que caiga fuera de la zona de juego no cuenta, y no puede repetirse el tiro.



PUESTA EN MARCHA Y FUNCIONAMIENTO



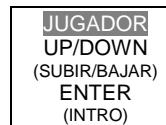
Pulse el botón ON/OFF para iniciar la configuración. Cuando la unidad está encendida, algunas pantallas se iluminarán con una melodía de bienvenida. Cuando termine la melodía, el jugador y la puntuación mostrarán "G01" y "301" respectivamente.



Presione los botones ARRIBA o ABAJO para desplazarse por los juegos (Consulte la tabla "SELECCIÓN DE JUEGOS"). Cuando aparezca en pantalla el juego deseado, presione el botón de ENTER (INTRO) para confirmarlo.

Presione los botones ARRIBA o ABAJO para desplazarse por las opciones de juego. Cuando aparezca en pantalla su opción de juego, presione el botón de ENTER (INTRO) para confirmarla.

Con algunos juegos existe la posibilidad de seleccionar Double In y/o Double out. Presione los botones ARRIBA o ABAJO para desplazarse por estas funciones especiales. Cuando aparezca en pantalla su función especial, presione el botón de ENTER (INTRO) para confirmarla.



Pulse los botones ARRIBA o ABAJO para seleccionar el número de jugadores. Hay 9 opciones: desde el modo de 1 jugador al de 8 jugadores, y el modo de juego solo (ciber). Pulse INTRO para confirmar el número de jugadores.

SOLO (CYBER)
UP/DOWN
(ARRIBA/ABAJO)
ENTER (INTRO)

Si elige el modo cyber, jugará contra la computadora. Pulse ARRIBA o ABAJO para seleccionar el nivel de la computadora y pulse INTRO para iniciar la partida. Estos son los cinco niveles de la computadora:

- C1: Novato
- C2: Intermedio
- C3: Avanzado
- C4: Experto
- C5: Profesional

Pulse INTRO para confirmar el modo de juego solo (ciber).

HANDICAP
HANDICAP
UP/DOWN
(ARRIBA/ABAJO)
ENTER (INTRO)

En algunos juegos se puede seleccionar el modo handicap una vez que se ha decidido el número de jugadores (antes de presionar el botón Intro). Presione Handicap para entrar el modo de selección handicap. A continuación, presione Arriba/Abajo para seleccionar la opción handicap para cada jugador. Presione handicap para ir al siguiente jugador.

DIANA SIMPLE Y DOBLE
UP/DOWN
(ARRIBA/ABAJO)
ENTER (INTRO)

Si el juego tiene opciones de Diana Simple y Doble, pulse ARRIBA o ABAJO para seleccionar. Pulse INTRO para confirmar la selección de Diana Simple o Doble.

CAMBIO DE JUGADOR
NEXT
(SIGUIENTE)

Durante el juego, cuando la computadora anuncie NEXT (SIGUIENTE), cualquier presión que se haga en los segmentos no afectará la puntuación de la diana. El jugador debe retirar todos los dardos de la diana y pulsar Siguiente para pasar el turno al siguiente jugador. La puntuación de la diana cambiará automáticamente a la del siguiente jugador si no se realiza ningún lanzamiento 10 segundos después de que haber anunciado NEXT (SIGUIENTE).

RESUMEN DE PUNTUACIONES
NEXT
(SIGUIENTE)

El juego finaliza cuando se determina un ganador o todos los jugadores han completado la puntuación final (consulte cada juego para más información). Utilice el botón NEXT (SIGUIENTE) para ver la posición y puntuación finales de cada jugador.

FALLO
MISS (FALLO)

Pulse FALLO para puntuar 0 y registrar una tirada de dardo cuando el dardo golpea entre unos segmentos y otros o fuera de la diana.

REESTABLECE
MISS (FALLO)

Si desea restablecer el juego, mantenga pulsado el botón FALLO durante 2 segundos.

PUNTUACIÓN
ENTER (INTRO)

Durante el curso del juego, puede pulsar Intro para comprobar la puntuación de los jugadores.

FINALIZAR
ON/OFF

Pulse el botón ON/OFF para terminar el juego. A fin de ahorrar energía, la diana incorpora una función de apagado automático. El juego se apagará automáticamente si se queda desatendido más de 30 minutos.

SONIDO
SOUND
(SONIDO)

Esta diana viene equipada con un interruptor de sonido en el lado izquierdo con el podrá activar o desactivar el sonido durante el juego.

SELECCIÓN DE JUEGOS

Juego	Descripción	Pantalla	Núm. de opciones + variacione	Núm. de jugadore
G01	301	3O1	7/56	1-8
G02	301 League	CO1	7/224	1-8
G03	CountUp	CUP	9/18	1-8
G04	Round the Clock	rCL	12	1-8
G05	Shanghai	Shi	4	1-8
G06	High Score	HiS	12/24	1-8
G07	Killer	LLr	30	2-8
G08	Shoot-out	S-0	19	1-8
G09	9 lives	9Li	7	2-8
G10	Cricket	Cri	3/6	1-8
G11	No Score Cricket	NSc	3/6	1-8
G12	Cut Throat Cricket	CUc	3/6	1-8
G13	Killer Cricket	LLc	3/6	2-8
G14	Scram Cricket	SCc	1/2	2
G1 5	Low Pitch Cricket	LPc	3/6	1-8
G16	English Cricket	Enc	1/2	2
G17	Double Only Cricket	dbc	3/6	1-8
G18	Color	CL2	5	1-8
G19	Bonus Color	bC2	5	1-8
G20	Correctional Color	CC2	5	1-8
G21	No score Color	NC2	5	2-8
G22	Free-Dart Color	FdC	4	1-8
G23	Overs	orS	19/38	2-8
G24	Unders	Und	19/38	2-8

Juego	Descripción	Pantalla	Núm. de opciones + variacione	Núm. de jugadore
G25	Halve-it	HAL	1/2	1-8
G26	Big-6	biG	19	2-8
G27	Forty-One	For	1/2	1-8
G28	Bingo	bin	4	1-8
G29	Double Down	ddn	1/2	1-8
G30	21 points	21P	7	1-8
G31	Nine Dart Century	Ndc	3/6	1-8
G32	Football	Ftb	1	1-8
G33	Shooting I	S-1	1/2	1-8
G34	Shooting II	S-2	1/2	1-8
G35	Shooting III	S-3	1/2	1-8
G36	Shooting IV	S-4	1/2	1-8

OPCIÓN HANDICAP

Juego	Descripción	OPCIÓN Handicap
G01	301	-20, -40, -60, -80 puntos
G02	301 League	-20, -40, -60, -80 puntos
G03	Count Up	+20, +40, +60, +80 puntos
G05	Shanghai	+20, +40, +60, +80 puntos
G06	High Score	+20, +40, +60, +80 puntos
G07	Killer	-1, -2, -3, -4 vidas
G08	Shoot out	+1, +2, +3, +4 puntos
G09	9 Lives	-1, -2, -3, -4 vidas
G18	Color	+20, +40, +60, +80 puntos
G19	Bonus Color	+20, +40, +60, +80 puntos
G20	Correctional Color	+20, +40, +60, +80 puntos
G21	No score Color	-1, -2, -3, -4 vidas
G22	Free-Dart Color	+20, +40, +60, +80 puntos
G23	Overs	-1, -2, -3, -4 vidas
G24	Unders	-1, -2, -3, -4 vidas
G25	Halve-it	+20, +40, +60, +80 puntos
G26	Big-6	-1, -2, -3, -4 vidas
G27	Forty-One	+20, +40, +60, +80 puntos
G29	Double Down	+20, +40, +60, +80 puntos
G30	21 points	1, +2, +3, +4 puntos

CÓMO JUGAR

- XEl turno de cada jugador queda indicado por P-1, P-2P-8.
- XCada jugador puede lanzar 3 dardos por turno.
- XEste juego de dardos electrónico puede mostrar la puntuación total y mostrar los blancos automáticamente.
- XEspere siempre a que termine la señal de sonido de la diana antes de lanzar el dardo.

REGLAS DE LOS JUEGOS

G01

301-999

OPCIÓN: 301, 501, 601, 701, 801, 901, 999 / DOUBLE BULL/ SINGLE BULL

Este es el juego de dardos más popular y que se juega en la mayoría de ligas y torneos. Cada jugador inicia el juego con 301 puntos (o 501, 601, etc.). Al final del turno de cada jugador, se resta de la puntuación del jugador la suma de los tres dardos lanzados. El primer jugador que consigue llegar exactamente a cero será el ganador del juego. Puede continuarse el juego hasta establecer los puestos 2º, 3º y 4º. Para que el juego sea más complicado, puede seleccionar el botón DOUBLE IN y/o DOUBLE OUT para establecer restricciones adicionales sobre cómo empezar y acabar el juego. Esas posibilidades son las siguientes:

SiO (Estándar): La puntuación comienza y termina cuando se acierta cualquier número. El jugador puede terminar el juego acertando sobre cualquier número que deje su puntuación exactamente a cero. Cuando un jugador supera la puntuación con la que alcanzaría cero, se considerará un "bust" y la puntuación retrocede al valor de antes del turno.

diO - Double In: La puntuación empieza cuando se acierta en algún número del anillo doble o en el blanco doble. No empieza la puntuación hasta que se cumpla esa condición.

SdO - Double Out: El jugador termina el juego cuando acierta algún número del anillo doble o en el blanco doble que deje la puntuación exactamente a cero. Cuando un jugador supera la puntuación necesaria para alcanzar exactamente el cero o "1", se considera un "bust" y la puntuación retrocede al valor de antes del turno (cuando queda "1" en la puntuación, es también un bust, porque no es posible reducirlo hasta cero con un doble).

diS – Double In + Double Out: La puntuación comienza cuando se acierta en un número situado en el aro de dobles o en el Ojo de buey doble y finaliza cuando se acierta en el aro de dobles o en el Ojo de buey doble reduciendo la puntuación a exactamente cero.

G02

301-999 LEAGUE

OPCIÓN: 301, 501, 601, 701, 801, 901, 999 / DOUBLE BULL/ SINGLE BULL

Se trata de una versión por equipos del juego 301-999, muy popular entre los jugadores de ligas de dardos. Hay siempre 2 equipos de hasta 4 jugadores por equipo. Por ejemplo: los jugadores 1 y 3 juegan contra los jugadores 2 y 4. El juego se juega igual que el juego 301-999 individual.

Opciones: 2C, 3C, 4C, Cyb

2C: 2 jugadores en cada equipo

3C: 3 jugadores en cada equipo

4C: 4 jugadores en cada equipo
Cyb: 1 jugador en cada equipo

G03 **COUNT UP**

OPCIÓN: 100, 200, 300, 900 / DOUBLE BULL/ SINGLE BULL

Se trata de un juego sencillo al que todo el mundo puede jugar. El objetivo es ganar al resto de jugadores siendo el primero en llegar a una puntuación preestablecida. Las configuraciones disponibles son: 100, 200, 300, 400, 500, 600, 700, 800 y 900. Cada jugador debe intentar lograr la máxima puntuación en cada uno de sus turnos. Se permite que la puntuación final supere la cantidad preestablecida.

G04 **ROUND THE CLOCK**

OPCIÓN: 105, 110, 115, 120, 205, 210, 215, 220, 305, 310, 315, 320

Cada jugador intenta alcanzar los números (en función de la opción que se haya seleccionado) desde 1 hasta 5, desde 1 hasta 10, desde 1 hasta 15, o desde 1 hasta 20 en orden. Cuando se alcanza algún número el juego avanza para disparar al número siguiente. El jugador que alcance primero el último número de su juego es el ganador. Seleccionar opciones:

- 105,110,115,120: El último número es 5,10,15,20 respectivamente Sin importar si es simple, doble o triple
- 205,210,215,220: El último número es 5,10,15,20 respectivamente solo es válido un doble.
- 305,310,315,320: El último número es 5,10,15,20 respectivamente solo es válido un triple.

G05 **SHANGHAI**

OPCIÓN: L01, L05, L10, L15

Este juego es similar al Reloj. Los jugadores empiezan tirando al número 1 (o 5, o 10, o 15) y van avanzando hasta el 20 y la diana doble. Cuando se alcance un número fuera de la secuencia numérica no contará. Acertar en el anillo doble o triple multiplicará el número x2 o x3. Las puntuaciones se acumularán. El jugador que obtiene más puntos, gana. Seleccionar opciones:

- Opción L01: El juego comienza desde el segmento 1
- Opción L05: El juego comienza desde el segmento 5
- Opción L10: El juego comienza desde el segmento 10
- Opción L15: El juego comienza desde el segmento 15

G06 **HIGH SCORE**

OPCIÓN: H03, H04,..... H13, H14 / DOUBLE BULL/ SINGLE BULL

Este juego es parecido a Count-Up, salvo que el juego finaliza tras el número de rondas seleccionado. Ganará el jugador que acumule la puntuación más alta con el número de rondas seleccionado. Selecciona el número de rondas con las opciones de la H03 a la H14 que representan de 3 a 14 rondas.

G07 **KILLER**

El objetivo de este juego es "matar" a los oponentes y permanecer vivo uno mismo. El ganador es el jugador que sigue "vivo" al final. En la opción 303 - 321

Bulls y Bullseye no se toman en cuenta. Estos campos están desactivados. Cada jugador debe lanzar su propio segmento de número. La pantalla mostrará "SEL" en este momento. Si un jugador no acierta en la diana o acierta en el Bullseye o en un segmento de número que ya ha sido alcanzado por otro jugador, debe lanzar de nuevo. Una vez que cada jugador tiene un número, comienza la acción. Cada jugador intenta alcanzar su propio número para conseguir la calificación de "matador". Al convertirse en matador, el objetivo del jugador es "matar" a sus oponentes acertando su número de segmento hasta que pierdan sus "vidas". Si un matador acierta su propio número de segmento, el matador perderá la calificación de "matador" y también perderá una "vida". Volverá a recuperar su estado de "matador" acertando en su propio número de segmento de nuevo. El último superviviente gana el juego. Para hacer el juego más difícil, acertar en el doble (o triple) de su número de puntuación para conseguir la calificación de "matador". Selecciona el número de vidas y la dificultad del segmento (todos los segmentos, segmentos dobles o segmentos triples) con las opciones de la 003 a la 321 que representan de 3 a 21 vidas y la dificultad del segmento.

Opción	Vidas	Zona de tiro (killer)
003	3	sencillo, doble, triple
005	5	sencillo, doble, triple
.....	...	sencillo, doble, triple
021	21	sencillo, doble, triple
203	3	doble
205	5	doble
...	doble
221	21	doble
303	3	triple
305	5	triple
....	triple
321	21	triple

G08 **SHOOT-OUT**

OPCIÓN: -03, -04, -05 -19, -20, -21

El ordenador mostrará de forma aleatoria una puntuación para que el jugador la acierte. Un acierto vale un punto. El primer jugador que acierta 3, 4 21 marcas, dependiendo del nivel de dificultad, es el ganador. Si el jugador no acierta en la diana dentro de un tiempo de 10 segundos, automáticamente cambia a una nueva puntuación para que el jugador la acierte y cuenta como si hubiera alcanzado el número equivocado. En este juego, los dobles y triples se tratan como sencillos.

G09 **LIVES**

OPCIÓN: 003, 004, 005, 006, 007, 008, 009

En este juego se juegan los números del 1 al 20 y el bullseye en una secuencia en bucle. Los jugadores toman turnos lanzando al 1 en la primera ronda, 2 en la segunda ronda, y así sucesivamente, hasta "25" en la ronda 21, 1 en la ronda 22

y así sucesivamente. Cada jugador debe acertar el número objetivo con un dardo en cada ronda. El jugador pierde una vida cada vez que falla 3 dardos. El último jugador que queda vivo es el ganador.

003, 004, 005009 representa 3, 4, 5 9 vidas respectivamente.

G10 SIMPLE CRICKET

OPCIÓN: C00, C20, C25 / DOUBLE BULL/ SINGLE BULL

Solo se juega con los segmentos con número del 15 al 20 y el B (Buey/Ojo de buey). Cada participante lanza 3 dardos. El jugador debe acertar tres veces un número de segmento para que se le abra. Ahora ya puede puntuar en el número de segmento abierto. Si el oponente(s) también aciertan en este mismo número de segmento tres veces, el segmento queda cerrado. No puede haber más puntuación en un segmento cerrado. Los segmentos dobles o triples cuentan como 2 o 3 aciertos. Los segmentos se pueden abrir y cerrar en orden de acuerdo a la opción seleccionada. El jugador que cierra más segmentos y obtiene la puntuación más alta, es el ganador. La estrategia es decidir si es mejor cerrar un segmento o acumular puntos. Ya que si un jugador cierra el mayor número de segmentos pero no tiene suficientes puntos, no puede ganar el juego. El final de la partida tiene lugar cuando todos los segmentos se han cerrado. El jugador que obtiene más puntos, gana. Seleccionar opciones:




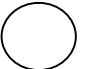
C00: abra los números en cualquier orden

C20: abra el número 20 primero, y luego, abra en orden:

19, 18, 17, 16, 15 y el Ojo de buey

C25: abra el Ojo de buey primero, y a continuación, abra en orden

15, 16, 17, 18, 19 & 20

Cricket	Una vez	Dos veces	Abierto	Cerrado
Signo				

G11 NO SCORE CRICKET

OPCIÓN 000, 020, 025 / DOUBLE BULL/ SINGLE BULL

Esta es la versión simplificada del Cricket. El objetivo es cerrar todos los números lo antes posible. No se otorgan puntuaciones por acertar en un número cerrado. Por tanto, una vez que se acierte tres veces en un número, se debe pasar a acertar en otros objetivos. Ganará quien logre primero tres aciertos en todos los números. Seleccionar opciones:

000: abra los números en cualquier orden

020: abra el número 20 primero, y luego, abra en orden:

19, 18, 17, 16, 15 y el Ojo de buey

025: abra el Ojo de buey primero, y a continuación, abra en orden

15, 16, 17, 18, 19 & 20

G12 CUT THROAT CRICKET

OPCIÓN 00C, 20C, 25C / DOUBLE BULL/ SINGLE BULL

Se trata de la versión inversa del *Cricket* con puntuación, y su forma más común

es con tres jugadores. Dos jugadores pueden unirse contra el tercer jugador y después pelearse entre ellos. Una vez que se cierra un número, cuando se acierta se añaden puntos a los rivales. La peor puntuación será la más alta. Sin embargo no se sumarán puntos al jugador que ya tenga cerrado ese número. Ganará quien tenga la puntuación más baja al cerrar primero todos los números. Un jugador que cierre todos los números primero pero tenga la puntuación más alta, deberá seguir lanzando para añadir puntos a sus rivales hasta que igualen o superen su puntuación. Por tanto, la mejor estrategia es la de cerrar lo antes posible todos los números para evitar que el resto de jugadores nos sumen puntos a la vez que se tiene la oportunidad de penalizar al resto. Seleccionar opciones:

00C: abra los números en cualquier orden

20C: abra el número 20 primero, y luego, abra en orden:

19, 18, 17, 16, 15 y el Ojo de buey

25C: abra el Ojo de buey primero, y a continuación, abra en orden

15, 16, 17, 18, 19 & 20

G13 KILLER CRICKET

OPCIÓN: H00, H20, H25 / DOUBLE BULL/ SINGLE BULL

Este juego es muy parecido al Cricket sin puntuación pero rizando el rizo. Cuando se cierra un número, el jugador tendrá la posibilidad de anular las marcas de sus rivales acertando de nuevo al número. Sin embargo, si el rival también ha cerrado el número, a ese jugador no se le anularán las marcas. El jugador que cierra todos los números primero es el ganador. Seleccionar opciones:

H00: abra los números en cualquier orden

H20: abra el número 20 primero, y luego, abra en orden:

19, 18, 17, 16, 15 y el Ojo de buey

H25: abra el Ojo de buey primero, y a continuación, abra en orden

15, 16, 17, 18, 19 & 20

G14 SCRAM CRICKET

OPCIÓN: Double Bull, Single Bull

Cada jugador lanza a los segmentos de los números del 15-20 más el Bull/Bullseye. Un jugador es el que lanza y puede obtener puntos mientras que el otro jugador es el que detiene y debe acertar cada segmento de número más el Bull/Bullseye una vez para poder cerrarlo. El disparador no puede ya marcar en un segmento de número cerrado. El lanzador cambia cuando todos los segmentos de número están cerrados. Ahora el jugador 2 es el lanzador. El objetivo de cada lanzador es obtener cuantos más puntos le sea posible. El jugador con la puntuación más alta después de dos rondas, es el jugador.

G15 LOW PITCH CRICKET

OPCIÓN: E00, E20, E25 / DOUBLE BULL/ SINGLE BULL

Esta versión de Cricket utiliza los segmentos con los números más bajos de la diana para cambiar el ritmo de los segmentos estándar del Cricket. Los jugadores deberán cerrar los segmentos 1, 2, 3, 4, 5, 6, y diana. El resto de reglas se aplicarán igual que en el Cricket estándar. Seleccionar opciones:

E00: abra los números en cualquier orden

E20: abra el número 20 primero, y luego, abra en orden:

6, 5, 4, 3, 2, 1 y el Ojo de buey
E25: abra el Ojo de buey primero, y a continuación, abra en orden
1, 2, 3, 4, 5 & 6

G16 ENGLISH CRICKET

OPCIÓN: Double Bull, Single Bull

Este juego es para 2 jugadores y consiste en dos rondas. El jugador 1 debe acertar el Bull o el Bullsseye hasta que lo cierre con 9 aciertos. (9X) El Bullsseye cuenta doble. El jugador 2 debe obtener el mayor número de puntos posible. Se descuentan 40 puntos de los puntos obtenidos después de cada lanzamiento (3 dardos). Si el jugador 1 tiene que alcanzar el Bull/Bullsseye y cerrarlo con 9 aciertos (9x), los papeles cambian. Al final de la segunda ronda, el jugador que tiene más puntos es el ganador.

G17 DOUBLE ONLY CRICKET

OPCIÓN: L00, L20, L25, Double Bull, Single Bull

El Double Only Cricket se juega igual que el Cricket excepto que el doble de cada número de cricket designado debe acertarse antes de que el jugador pueda proseguir con ese número. Una vez que se acierta el doble, se puede abrir el número. Entonces, dicho doble, y todos los demás dobles, triples y sencillos de ese número cuentan. Por ejemplo, para comenzar con los 20s, cada jugador debe acertar un doble 20. Después de conseguir un 20 doble, después un 20 sencillo cerrará el número, un doble abrirá y marcará 20 puntos, y un triple abrirá y marcará 40 puntos. Así, es imposible abrir/cerrar un número con un solo dardo.

G18 COLOR

OPCIÓN: 100, 200, 300, 400, 500

Para comenzar este juego, cada jugador debe lanzar un dardo para determinar a qué bloque/color (20 color o 1 color) lanzarán. (Si un jugador acertase en la Diana con este dardo, deberá lanzar de nuevo para decidir el color). Cada jugador deberá entonces acertar en su objetivo de color hasta sumar la puntuación total (que se decidirá en las Opciones de juego al inicio del juego: 100, 200, 300, 400 o 500). Si un jugador lanza al color de un rival, la marca no se contabilizará. La diana contará para la puntuación total. Ganará el primer jugador que alcance la puntuación preestablecida.

G19 BONUS COLOR

OPCIÓN: 100, 200, 300, 400, 500

Este juego se juega igual que "Color" salvo por la excepción siguiente. Si un jugador lanza su dardo al color del rival, su rival recibirá los puntos en su puntuación total. Seleccione el número de puntos con las opciones de la 100 a la 500 que representan de 100 a 500 puntos.

G20 CORRECTIONAL COLOR

OPCIÓN: 100, 200, 300, 400, 500

Este juego se juega igual que "Color" salvo por la excepción siguiente. Si un jugador lanza su dardo al color del rival, se le restarán esos puntos de su

puntuación total. Seleccione el número de puntos con las opciones de la 100 a la 500 que representan de 100 a 500 puntos.

G21 NO SCORE COLOR

OPCIÓN: 003, 004, 005, 006, 007

Este juego se juega igual que "Color" salvo por la excepción siguiente. Cada jugador trata de acertar en su color para obtener un punto. Si un jugador lanza sobre el color de un rival perderá una marca de su puntuación total y perderá su turno. (La diana contará para la puntuación total.) Ganará el último jugador al que le quede alguna marca (cuando el resto llegue a cero). Se debe decidir y establecer la puntuación total en las Opciones de juego al inicio del juego: 3, 4, 5, 6, o 7 marcas totales.

G22 FREE-DART COLOR

OPCIÓN: 005, 010, 015, 020

Este juego se juega igual que "Color" salvo por la excepción siguiente. Cada jugador buscará acertar en su color para lograr la puntuación más alta posible. Si se lanza un dardo al color del rival no contará para la puntuación total. (La diana cuenta para la puntuación total.) Ganará el jugador que logre la puntuación más alta tras lanzar el número de dardos determinados. Se debe decidir y establecer el número de dardos a lanzar en las Opciones de juego al inicio del juego: 5, 10, 15, o 20 dardos en total.

G23 OVERS

OPCIÓN: O03, O04...O20, O21 / DOUBLE BULL/ SINGLE BULL

Se trata de un juego rápido y sencillo. Cada jugador debe intentar superar o igualar la puntuación más alta lograda en un turno. la puntuación de un jugador sea inferior que los tres dardos anteriores, ese jugador perderá "una vida". Cada jugador cuenta con tres vidas en total. Ganará el último jugador al que le quede alguna "vida". Seleccione el número de vidas con las opciones de la O03 a la O21 que representan de 3 a 21 vidas.

G24 UNDERS

OPCIÓN: U03, U04... U20, U21 / DOUBLE BULL/ SINGLE BULL

Este juego es parecido a Overs, con la diferencia de que el objetivo consiste en superar el record inferior con los tres dardos anteriores. Cuando el total de los tres dardos sea superior que el record, el jugador perderá una "vida". Cualquiera que pase turno o lance fuera de la parte puntuable de la diana tendrá una penalización de 60 puntos (3 x 20, la puntuación máxima posible con un solo dardo). Ganará el último jugador al que le quede alguna "vida". Seleccione el número de vidas con las opciones de la 603 a la 621 que representan de 3 a 21 vidas.

G25 HALVE- IT

OPCIÓN: DOUBLE BULL/ SINGLE BULL

Todo jugador comienza apuntando al número 12, y después 13, 14, cualquier doble, 15, 16, 17, cualquier triple, 18, 19, 20 y después a la diana. Cada jugador lanza tres dardos al mismo número y después en la próxima ronda pasa al

número siguiente. Todas las puntuaciones se irán acumulando, los dobles multiplican los puntos x2 y los triples x3. Si un jugador falla los tres lanzamientos a un número concreto, su puntuación se reducirá a la mitad. Al finalizar el juego, el jugador con más puntos será el ganador.

Ronda	12	13	14	D	15	16	17	T	18	19	20	B	Total
Jugador													

D: Anillos dobles

T: Anillos triples

B: Diana

G26

BIG-6

OPCIÓN: b03, b04, b05...b19, b20, b21

El primer objetivo cuando empieza el juego es el 6 sencillo. El jugador deberá acertar con sus tres lanzamientos el objetivo al menos una vez para salvar sus vidas. Siempre que se alcance el objetivo con el primer o segundo dardo, el jugador tendrá una oportunidad de seleccionar el blanco del oponente con un lanzamiento. Se considerarán objetivos los anillos sencillo, doble y triple. La estrategia es la de seleccionar el objetivo más complicado para los rivales, como el "20 triple" o la "diana doble". Ganará el último jugador al que le quede alguna "vida". Seleccione el número de vidas con las opciones de la b03 a la b21 que representan de 3 a 21 vidas.

G27

FORTY-ONE

OPCIÓN: DOUBLE BULL/ SINGLE BULL

Todos los jugadores comienzan el juego lanzando hacia el número 20, y después el 19, 18, 17, 16, 15, Bullseye y luego alcanzar 41 puntos. Cada jugador lanza tres dardos al mismo número, luego sigue hacia el siguiente número en la siguiente ronda. Toda la puntuación se acumula, el Doble cuenta como 2x y el Triple como 3x puntos. Una ronda adicional de 41 puntos se incluye después del Bullseye y el jugador tiene que conseguir este desafío para finalizar su última ronda (41 es la suma que se debe alcanzar lanzando 3 dardos en orden). Al final del juego, el jugador que tiene más puntos es el ganador.

	20	19	18	17	16	15	B	'41'	Total
Jugador 1									
Jugador 2									

B: Diana

G28

BINGO

OPCIÓN: 132, 141, 168, 189

La diana mostrará el segmento a alcanzar de forma automática. El jugador que acierta primero todos los segmentos especificados como objetivo tres veces gana el juego.

132- Acertar el segmento con la secuencia de 15, 4, 8, 14, 3.

141- Acertar el segmento con la secuencia de 17, 13, 9, 7, 1.

168- Acertar el segmento con la secuencia de 20, 16, 12, 6, 2.

189- Acertar el segmento con la secuencia de 19, 10, 18, 5, 11.

El jugador debe acertar un segmento de número tres veces para entrar en el siguiente segmento de número. El acertar un solo segmento cuenta como una vez, el segmento doble cuenta como dos veces y el triple como tres veces.

G29

DOUBLE DOWN

OPCIÓN: DOUBLE BULL/ SINGLE BULL

El juego comienza con una puntuación base de 40 puntos por cada jugador. El jugador debe marcar acertando los segmentos activos de la ronda actual. Por ejemplo, en la primera ronda el jugador debe lanzar para acertar el segmento 15. Si no se acierta ningún 15, la puntuación del jugador se queda en la mitad. La próxima ronda es 16, y así sucesivamente. Para D y T, el jugador debe acertar cualquier doble o triple y se aplicará la misma regla. El jugador que consigue la mayor puntuación será el ganador.

	15	16	D	17	18	T	19	20	B	Total
Jugador 1										
Jugador 2										

D: Anillos dobles

T: Anillos triples

B: Diana

G30

21 POINTS

OPCIÓN: 005, 006, 007, 008, 009, 010, 011

El objetivo de este juego es conseguir la mayoría de las marcas. Un jugador puede conseguir una marca de dos maneras:

1. Consigue 21 puntos exactos con 1, 2 ó 3 dardos.

2. Consigue la puntuación que más se acerca a 21 puntos (si nadie consigue 21 puntos en el tercer turno)

El jugador se pasará si su puntuación supera los 21 puntos, en cuyo caso no podrá conseguir una marca. Una vez finalizado el juego, el jugador con más marcas será el ganador de la partida. Seleccione el número de rondas con las opciones de la 005 a la 011 que representan de 5 a 11 rondas.

G31

NINE DART CENTURY

OPCIÓN 100, 150, 200, DOUBLE BULL/ SINGLE BULL

Las opciones son la puntuación objetivo, ver la tabla siguiente:

Opción	100	150	200
Puntuación objetivo	100 puntos	150 puntos	200 puntos

En este juego cada jugador posee 9 dardos (tres turnos) para marcar 100 (o 150, 200) puntos sin pasarse, o llegar lo más cerca posible de 100. Si un jugador se pasa queda fuera del juego. La diana anunciará "BUST". Los dardos que aciertan fuera del área de puntuación vuelven la puntuación del jugador a cero. Los dardos que caen fuera no se penalizan y no valen ningún punto. El número de la diana que el jugador acierta será su puntuación. Un segmento doble vale el doble de puntos y uno triple vale el triple. El jugador que consigue llegar lo más cerca de la Puntuación Objetivo sin pasarse, es el ganador.

G32

FOOTBALL

Los jugadores deben seleccionar primero su campo de juego lanzando un dardo a la diana. Una vez seleccionado el campo de juego, debe comenzar a marcar puntos a partir del segmento doble, siga con el bullseye y luego hacia los segmentos opuestos en estricta secuencia. El estado del jugador aparecerá

indicado en la pantalla. Por ejemplo, si un jugador selecciona el segmento 11, deberá acertar D-11, S-11, T-11, S-11, la parte externa del bullseye, la parte interna del bullseye, S-6, T-6, S-6, y finalmente el D-6. El primer jugador que termina su campo de juego es el ganador.

G33 SHOOTING I

OPCIÓN: DOUBLE BULL/ SINGLE BULL

In questo gioco, ciascun giocatore lancia tre freccette. Il giocatore avente il totale più elevato in seguito al lancio di tutte e 3 le freccette vince la mano. Si gioca fino a quando uno dei due giocatori non raggiunge un totale di 7 turni vinti.

G34 SHOOTING II

OPCIÓN DOUBLE BULL/ SINGLE BULL

Questo gioco si gioca proprio come il Shooting I, ma in questo caso contano ai fini del punteggio solo le freccette che atterrano su aree di singolo, doppio o triplo dei seguenti numeri: 15, 16, 17, 18, 19, 20, centro (Bullseye). Vince chi si aggiudica per primo 7 turni.

G35 SHOOTING III

OPCIÓN: DOUBLE BULL/ SINGLE BULL

Questo gioco si gioca esattamente come Shooting I. La partita dura 6 turni e vince il primo ad aggiudicarsi la vittoria in quattro turni.

G36 SHOOTING IV

OPCIÓN: DOUBLE BULL/ SINGLE BULL

Questo gioco si gioca proprio come il Shooting I, ma in questo caso contano ai fini del punteggio solo le freccette che atterrano su aree di singolo, doppio o triplo dei seguenti numeri: 15, 16, 17, 18, 19, 20, centro (Bullseye). La partita dura 7 turni e vince il primo ad aggiudicarsi la vittoria in quattro turni.

SOLUCIÓN DE POSIBLES PROBLEMAS

No hay corriente	Compruebe y asegúrese, por favor, de que el adaptador de CA esté bien enchufado en la toma de corriente y de que el enchufe de CC esté bien conectado a la toma de CC de la diana.
No hay puntuación en el juego	Compruebe si el juego está en modo de ajuste, si está en espera o si se encuentra en la comprobación de mitad de partida. Pulse el botón FALLO/RESTABLECER durante 2 segundos para comprobar si el juego se inicia. También puede comprobar si hay algún segmento de puntuación o algún botón atascado.
Segmento o botón atascado	Durante el transporte o durante el juego normal puede que se quede atascado temporalmente algún segmento de puntuación. Si ocurriera esto, se interrumpirán todas las funciones de puntuación automáticas. Retirando el dardo o moviendo suavemente el segmento con los dedos podrá liberar el segmento. Se puede reanudar el juego y las funciones de puntuación volverán a la normalidad.
Retirar las puntas rotas	Las puntas blandas pueden romperse y quedarse en la diana. En tal caso, intente extraerlas suavemente con unos alicates. Nota: cuanto más pesado sea el dardo más probabilidades habrá de que la punta se doble o se rompa.
Interferencias eléctricas o electromagnéticas	Si se produce alguna interferencia electromagnética, la electrónica de la diana puede mostrar un comportamiento errático o dejar de funcionar. (Por ejemplo: una tormenta fuerte, un pico de corriente eléctrica, una caída de tensión, o la cercanía excesiva a algún motor eléctrico o microondas.) Para que se recupere el juego para su funcionamiento normal, saque el adaptador de la toma de corriente y de la diana durante 2 segundos. Asegúrese de retirar así mismo la fuente que hubiera causado la interferencia.

Se perderá la garantía si la diana se abre/ desmonta.

AVISO DE SEGURIDAD

¡CUIDADO!

No poner en cortocircuito los terminales de alimentación.

Usar únicamente los adaptadores de CA recomendados (consultar las instrucciones de montaje). ¡El adaptador no es un juguete!

Evite que la diana se vea sometida a condiciones climáticas o temperaturas extremas. Evite que la diana entre en contacto con líquidos o con humedad excesiva. Limpie la diana únicamente con un paño húmedo y/o algún detergente suave. Desconecte, por favor, la diana de la red antes de limpiarla.

Inspeccione con regularidad el adaptador de CA (opcional) o el cargador de pilas por si presentara algún daño el cable, el enchufe, la carcasa o cualquier otra

pieza. Si existiera algún daño, no utilice a diana hasta que se haya reparado el daño.

¡CUIDADO!

Los dardos son un deporte de adultos. Los dardos no son juguetes. No deben jugar los niños, salvo con la vigilancia de algún adulto. Lea las instrucciones con atención, por favor. No apunte con los dados a ninguna persona. Un uso adecuado de este juego evitará posibles daños o lesiones.

RECICLAJE



El cubo de basura tachado significa que este producto y el adaptador no pueden tirarse junto a los residuos domésticos. Deben tratarse separadamente. Cuando haya terminado de utilizarlos para siempre, deshágase de ellos en algún punto de recogida autorizado para que puedan ser reciclados. ¡Este gesto protegerá el medioambiente y su propia salud!

CARROMCO GmbH & Co. KG

Mühlenweg 144, 22844 Norderstedt, Germany
Tel.: +49 (0) 1805 25 63 63
service@carromco.com www.carromco.com

Consérvese, por favor, para referencia futura
FABRICADO EN CHINA



14+



LDPE

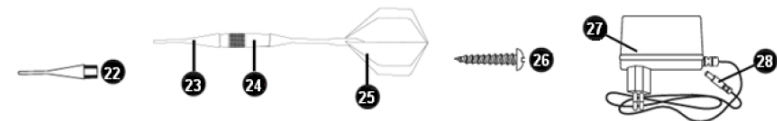
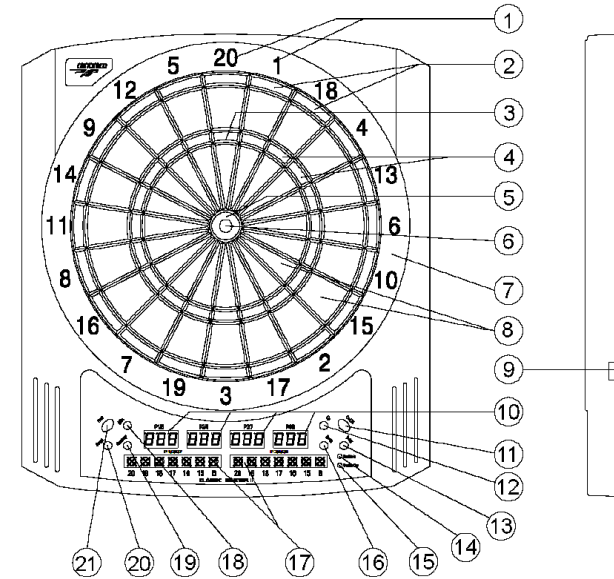


PAP



DESCRIZIONE TIRO AL BERSAGLIO ELETTRONICO CON PUNTA MORBIDA

Universum Intro



- | | |
|--|----------------------------|
| 1. Valori dei segmenti | 15. Double Out |
| 2. Anelli del doppio (x2) | 16. Pulsante DOWN (giù) |
| 3. 20 triplo punteggio massimo, 60 punti | 17. Display Cricket |
| 4. Anelli del triplo | 18. Pulsante MISS |
| 5. Centro esterno (25 punti) | 19. Pulsante HANDICAP |
| 6. Centro interno (50 punti) | 20. Suono On/Off |
| 7. Esterno (0 punti) | 21. Pulsante NEXT |
| 8. Anelli del singolo (x1) | 22. 20 punte di ricambio |
| 9. Jack adattatore | 23. Punta morbida |
| 10. Tabellone del punteggio | 24. Corpo |
| 11. Interruttore ON/OFF | 25. Terminale e ali |
| 12. Pulsante UP (su) | 26. Viti x 2 |
| 13. Pulsante ENTER (invio) | 27. Adattatore 4,5V, 500mA |
| 14. Double In | 28. Spina |

STRUMENTI RICHIESTI PER IL MONTAGGIO:

Cacciavite e trapano (non in dotazione)

1. Preparazione delle freccette: avvitare la punta (estremità) e il terminale nel corpo. In caso di alette supplementari, dare la forma all'aletta piegandola e inserirla sul terminale.
2. Appendere il bersaglio tramite i due fori di montaggio sul retro. Sono incluse 2 viti per montarlo alla parete. Se le viti non sono adatte al tipo di parete, sostituirle con viti adatte. È necessaria la presenza di una presa di corrente nelle vicinanze. Secondo le regole di gara ufficiali del tiro al bersaglio, il bersaglio deve essere appeso in modo che l'altezza dal pavimento al centro del bersaglio sia 1,73 m (68") e che la distanza dalla linea di lancio al bersaglio sia 2.37m (7 ft 9 1/4 in).
3. Segnare due punti affiancati sulla parete selezionata, a 192 cm (75 5/8") di altezza dal pavimento e a 14 cm (5 1/2") di distanza l'uno dall'altro. Avvitare due viti nei punti segnati facendo sporgere le teste delle viti di circa 13 mm (1/2") rispetto alla parete.
4. Allineare i fori di montaggio sul retro del bersaglio con le teste delle viti, quindi appendere il bersaglio. Potrebbe essere necessario regolare le viti affinché il bersaglio sia completamente aderente alla parete.
5. Collegare l'adattatore AC alla presa a muro e la spina DC al bersaglio. L'adattatore A deve presentare 230V, AC – 4,5V DC, 500mA.



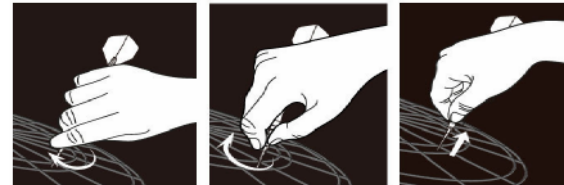
6. Prima dell'uso, familiarizzare con le funzioni del bersaglio. Nel caso in cui si dovesse sospettare che il bersaglio non funziona correttamente, fare innanzitutto riferimento al paragrafo RISOLUZIONE DI PROBLEMI del manuale.

CONSIGLI E INDICAZIONI

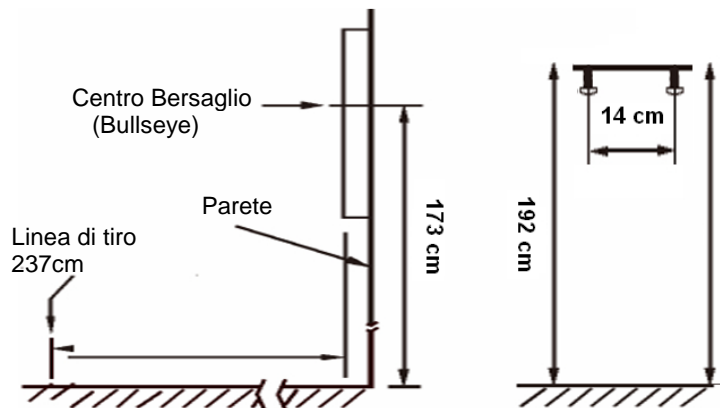
Questo gioco è stato concepito per l'uso di SOLE FRECCETTE MORBIDE. L'uso di freccette con la punta di ferro può danneggiare il bersaglio. Applicare la giusta forza ed il giusto posizionamento del corpo per lanciare le freccette. Affinché le freccette si fissino al bersaglio, non occorre lanciare con forza. Il peso raccomandato delle freccette morbide non supera i 6 grammi.

Per ridurre i rimbalzi fuori, servirsi dello stesso tipo di punta morbida di quelle fornite con il gioco. Le punte lunghe non sono raccomandate per questo gioco. Si rompono o incurvano più facilmente.

Al momento di estrarre la freccia dal bersaglio, applicando una leggera torsione verso destra mentre si estrae la freccetta si renderà l'operazione più semplice.



ISTRUZIONI PER IL MONTAGGIO



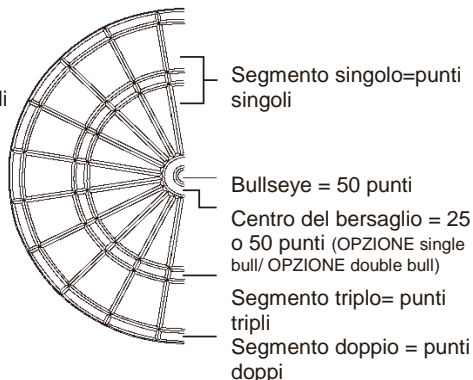
VALUTAZIONE PUNTI

Un turno

Un turno è costituito dal tiro di 3 freccette.

Rimbaldi e freccette mancate

Ogni freccetta rimbalsata o arrivata al di fuori dell'area di gioco non conta e non può essere tirata nuovamente.



CONFIGURAZIONE DEL GIOCO

AVVIO
ON/OFF
(MARCHE/ARRÊT)

Premere il pulsante ON/OFF per avviare la configurazione. Alcuni display si illumineranno ed emetteranno una melodia di benvenuto. Quando il suono si arresta, sul display del giocatore e il display del punteggio appariranno rispettivamente "G01" e "301".

**GIOCO +
OPZIONI**
UP/DOWN
(SU/GIÙ)
ENTER
(INVIO)

Premere i pulsanti SU e GIÙ per spostarsi tra i giochi (Vedi tabella "SELEZIONE DEL GIOCO". Una volta visualizzato il gioco desiderato, premere il pulsante ENTER (INVIO) per confermare.

Premere i pulsanti SU e GIÙ per spostarsi tra le opzioni di gioco. Una volta visualizzata l'opzione di gioco desiderata, premere il pulsante ENTER (INVIO) per confermare.

Alcuni giochi offrono la possibilità di selezionare tra Double In e/o Double Out. Premere i pulsanti SU e GIÙ per spostarsi tra queste funzioni speciali, se presenti. Una volta visualizzata la funzione speciale desiderata, premere il pulsante ENTER (INVIO) per confermare.

GIOCATORI
UP/DOWN
(SU/GIÙ)
ENTER
(INVIO)

Premere i pulsanti SU o GIÙ per selezionare il numero di giocatori. Sono disponibili 9 opzioni in totale, dalla modalità 1 giocatore alla modalità 8 giocatori, e la modalità giocatore virtuale. Premere INVIO per confermare la selezione dei giocatori.

SOLO (CYBER)
UP/DOWN
(SU/GIÙ)
ENTER
(INVIO)

Se l'opzione selezionata e confermata è la modalità giocatore Solo (Cyber), l'avversario sarà il computer. Premere SU o GIÙ per selezionare il livello del giocatore virtuale e premere Invio per iniziare il gioco. I cinque livelli del giocatore virtuale sono i seguenti:

- C1: Principiante
- C2: Intermedio
- C3: Avanzato
- C4: Esperto
- C5: Professionista

Premere INVIO per confermare la selezione della modalità giocatore virtuale.

HANDICAP
HANDICAP
UP/DOWN
(SU/GIÙ)
ENTER
(INVIO)

In alcuni giochi è possibile selezionare la modalità Handicap dopo aver selezionato il numero di giocatori (prima di premere il pulsante ENTER). Premere HANDICAP per accedere alla modalità di selezione dell'handicap. Quindi premere SU/GIÙ per selezionare l'opzione di handicap per ogni giocatore. Premere HANDICAP per passare al giocatore successivo.

**SINGLE/
DOUBLE BULL**
UP/DOWN
(SU/GIÙ)
ENTER (INVIO)

Se il gioco presenta le opzioni Double e Single bull, premere SU o GIÙ per selezionarle. Premere ENTER (INVIO) per confermare la selezione Single/ Double Bull.

**CAMBIO
GIOCATORE**
NEXT
(SUIVANT)

Durante il gioco, quando il computer annuncia "SUCCESSIVO", eventuali pressioni sui segmenti non attiveranno il bersaglio. Il giocatore deve rimuovere tutte le freccette e premere Successivo per passare al turno del giocatore successivo. Se non viene effettuata alcuna azione nei 10 secondi seguenti l'annuncio "SUCCESSIVO", il turno passerà automaticamente al giocatore successivo. Rimuovere le freccette ruotandole delicatamente in senso orario ed estraendole in linea retta.

**VISUALIZZ
PUNTEGGI**
NEXT
(SUIVANT)

Il gioco termina quando è stato determinato il vincitore o quando tutti i giocatori hanno completato il loro punteggio finale (vedi i singoli giochi per i dettagli). Usare il pulsante SUCCESSIVO per visualizzare la classifica e il punteggio finale di ogni giocatore.

MANCATO
MISS
(MANCATO)

Premere MANCATO per assegnare un punteggio pari a 0 e registrare una freccetta quando una freccetta colpisce i fili metallici o manca del tutto il bersaglio.

RICOMINCIA
MISS
(RICOMINCIA)

Se si desidera ricominciare il gioco, tenere premuto il pulsante MANCATO per 2 secondi.

PUNTEGGI
ENTER (INVIO)

Durante il gioco, è possibile premere Invio per controllare i punteggi dei giocatori.

FINE
ON/OFF

Premere il pulsante ON/OFF per spegnere il gioco. Per motivi di risparmio energetico, il bersaglio è dotato di una funzione di spegnimento automatico. Se non viene eseguita alcuna azione per 30 minuti, il gioco si spegnerà automaticamente.

SUONO
SOUND
(SUONO)

Il bersaglio è dotato di un interruttore per il suono situato sul fianco sinistro. È possibile attivare o disattivare il suono durante il gioco.

SELEZIONE DEL GIOCO

GIOCO	DESCRIZIONE	DISPLAY	N.DI OPZIONI/ VARIANTI	GIOCO
G01	301	301	7/56	1-8
G02	301 League	CO1	7/224	1-8
G03	CountUp	CUP	9/18	1-8
G04	Round the Clock	rCL	12	1-8
G05	Shanghai	Shi	4	1-8
G06	High Score	HiS	12/24	1-8
G07	Killer	LLr	30	2-8
G08	Shoot-out	S-0	19	1-8
G09	9 lives	9Li	7	2-8
G10	Cricket	Cri	3/6	1-8
G11	No Score Cricket	NSc	3/6	1-8
G12	Cut Throat Cricket	CUC	3/6	1-8
G13	Killer Cricket	LLc	3/6	2-8
G14	Scram Cricket	SCc	1/2	2
G15	Low Pitch Cricket	LPc	3/6	1-8
G16	English Cricket	Enc	1/2	2
G17	Double Only Cricket	dbc	3/6	1-8
G18	Color	CL2	5	1-8
G19	Bonus Color	bC2	5	1-8
G20	Correctional Color	CC2	5	1-8
G21	No score Color	NC2	5	2-8

G22	Free-Dart Color	FdC	4	1-8
G23	Overs	orS	19/38	2-8
G24	Unders	Und	19/38	2-8
G25	Halve-it	HAL	1/2	1-8
G26	Big-6	biG	19	2-8
G27	Forty-One	For	1/2	1-8
G28	Bingo	bin	4	1-8
G29	Double Down	ddn	1/2	1-8
G30	21 points	21P	7	1-8
G31	Nine Dart Century	Ndc	3/6	1-8
G32	Football	Ftb	1	1-8
G33	Shooting I	S-1	1/2	1-8
G34	Shooting II	S-2	1/2	1-8
G35	Shooting III	S-3	1/2	1-8
G36	Shooting IV	S-4	1/2	1-8

OPZIONI HANDICAP

GIOCO	DESCRIZIONE	OPZIONI HANDICAP
G01	301	-20, -40, -60, -80 punti
G02	301 League	-20, -40, -60, -80 punti
G03	Count Up	+20, +40, +60, +80 punti
G05	Shanghai	+20, +40, +60, +80 punti
G06	High Score	+20, +40, +60, +80 punti
G07	Killer	-1, -2, -3, -4 vite
G08	Shoot out	+1, +2, +3, +4 punti
G09	9 Lives	-1, -2, -3, -4 vite
G18	Color	+20, +40, +60, +80 punti
G19	Bonus Color	+20, +40, +60, +80 punti
G20	Correctional Color	+20, +40, +60, +80 punti
G21	No score Color	-1, -2, -3, -4 vite
G22	Free-Dart Color	+20, +40, +60, +80 punti
G23	Overs	-1, -2, -3, -4 vite
G24	Unders	-1, -2, -3, -4 vite
G25	Halve-it	+20, +40, +60, +80 punti
G26	Big-6	-1, -2, -3, -4 vite
G27	Forty-One	+20, +40, +60, +80 punti
G29	Double Down	+20, +40, +60, +80 punti
G30	21 points	1, +2, +3, +4 punti

GIOCARE

- Il turno di ciascun giocatore è indicato dalle sigle P-1, P-2... P-8.
- Ciascun giocatore ha diritto a tirare 3 freccette per turno.
- Questo gioco di freccette elettronico può visualizzare i punteggi totali e segnare i centri automaticamente.
- Attendere sempre il termine dell'avviso sonoro prima di lanciare una freccetta.

REGOLE DI GIOCO

G01 301-999

OPZIONE: 301, 501, 601, 701, 801, 901, 999 / DOUBLE BULL/ SINGLE BULL

Questo è il gioco di freccette più popolare, giocato in quasi tutti i tornei e le leghe. Ogni giocatore inizia la partita con 301 punti (o 501, 601, ecc.). Alla fine di ogni turno, la somma delle tre freccette lanciate è sottratta dal punteggio del giocatore. Vince il primo giocatore ad arrivare esattamente a zero. La partita può continuare finché il secondo, terzo e quarto posto siano determinati.

Per aumentare la difficoltà, puoi premere il tasto DOUBLE IN e/o DOUBLE OUT (doppio) per impostare restrizioni addizionali su come iniziare e finire la partita. Queste sono le opzioni:

SiO (Standard): L'assegnazione del punteggio inizia e finisce quando un numero qualsiasi viene colpito

diO - Double In: il punteggio inizia quando viene centrato un numero dell'anello dei doppi o il centro del bersaglio. Non viene calcolato nessun punteggio finché questo non avviene.

SdO - Double Out: il giocatore può finire la partita con un numero nell'anello dei doppi o il doppio centro del bersaglio, che riduce il punteggio esattamente a zero. Quando un giocatore eccede il punteggio necessario per arrivare esattamente a zero o "1", il turno è "fallito" e il punteggio torna a essere quello di prima del turno (anche un punteggio con "1" punto rimanente è fallito, perché non è possibile farlo tornare a zero con un doppio).

diS - Double In + Double Out: L'assegnazione del punteggio inizia quando viene colpito un numero nell'anello doppio o nel Doppio occhio del toro e finisce quando viene colpito in numero nell'anello doppio o nel Doppio occhio del toro che riduce il punteggio esattamente a zero.

G02 301-999 LEAGUE

OPZIONE: 301, 501, 601, 701, 801, 901, 999 / DOUBLE BULL/ SINGLE BULL

Questo gioco è la versione di squadra del 301-999, molto popolare nelle leghe di freccette. Ci sono sempre due squadre e fino a quattro giocatori per squadra. Per esempio: Giocatore 1 e Giocatore 3 contro Giocatore 2 e Giocatore 4. È giocato come la versione singola del 301-999. Opzioni : 2C, 3C, 4C, Cyb

2C: 2 giocatori per squadra

3C: 3 giocatori per squadra

4C: 4 giocatori per squadra

Cyb : 1 giocatore per squadra

G03

COUNT UP

OPZIONE: 100, 200, 300, 900 / DOUBLE BULL/ SINGLE BULL

Questo è un gioco semplice, cui tutti possono giocare. L'obiettivo è battere gli altri giocatori essendo il primo a arrivare a un punteggio predefinito. Le impostazioni disponibili sono: 100, 200, 300, 400, 500, 600, 700, 800 e 900. Ogni giocatore deve tentare di ottenere in punteggio più alto possibile nel suo turno. Il punteggio finale può essere più alto del punteggio predefinito.

G04

ROUND THE CLOCK

OPZIONE: 105, 110, 115, 120, 205, 210, 215, 220, 305, 310, 315, 320

Il giocatore prova a centrare i numeri da 1 a 5, 1 a 10, 1 a 15, o 1 a 20 in ordine. Quando un numero è centrato, il gioco va avanti per lanciare il prossimo numero. Vince il giocatore ad arrivare per primo al suo numero finale.

Selezionare le opzioni:

105,110,115,120: L'ultimo numero e rispettivamente 5,10,15, 20 indipendentemente se singolo, doppio o triplo

205, 210, 215, 220: L'ultimo numero e rispettivamente 5,10,15, 20 e valido solo il doppio.

305, 310, 315, 320: L'ultimo numero e rispettivamente 5,10,15, 20 e valido solo il triplo.

G05

SHANGHAI

OPZIONE: L01, L05, L10, L15

Questo gioco è simile a Round-The-Clock. I giocatori iniziano lanciando col numero 1 (o 5, o 10, o 15) e vanno fino a 20 e al centro del bersaglio. Nessun centro conta quando è fuori della sequenza di numeri. Un centro su un doppio o un triplo conta come 2x o 3x il numero. I punteggi saranno accumulati e il gioco è limitato a 7 turni o 21 lanci. Esempio: centrare il doppio 3 vale $2 \times 3 = 6$ punti.

Dopo il settimo turno vince il giocatore ad avere più punti. Il giocatore che ottiene più punti vince. Selezionare le opzioni:

Opzione 101: il gioco inizia per il segmento 1

Opzione 105: il gioco inizia per il segmento 5

Opzione 110: il gioco inizia per il segmento 10

Opzione 115: il gioco inizia per il segmento 15

G06

HIGH SCORE

OPZIONE: H03, H04,.... H13, H14 / DOUBLE BULL/ SINGLE BULL

Questo gioco è simile al Count-Up, con la differenza che finisce con il numero di round selezionati. Il giocatore che accumula il punteggio totale più alto vince. Selezionare il numero di round con le opzioni da H03 a H14, che rappresentano da 3 a 14 round.

G07

KILLER

Lo scopo del gioco è "uccidere" gli avversari; il vincitore è l'unico "superstite" rimasto alla fine. Nelle opzioni 303 - 321 il Centro e il Bullseye non sono presi in considerazione. Tali campi sono disattivati. Ogni giocatore deve lanciare per ottenere il proprio numero/segmento. Sul display apparirà quindi "SEL". Se il giocatore manca il bersaglio, colpisce il Bullseye o un numero/segmento già

colpito da un altro giocatore, deve lanciare nuovamente. Dopo che tutti i giocatori hanno un numero, il gioco può iniziare. Ogni giocatore tenta di colpire il proprio numero per ottenere la qualifica di "killer". L'obiettivo del killer è "uccidere" gli avversari colpendo i loro segmenti/numeri finché non perdono tutte le loro "vite". Se un killer colpisce il proprio segmento/numero, perderà la qualifica di "killer" e perderà anche una "vita". Otterrà nuovamente lo status di "killer" colpendo nuovamente il proprio numero. L'ultimo sopravvissuto vince il gioco. Per aumentare la difficoltà del gioco, colpire il doppio (o il triplo) del proprio numero per ottenere la qualifica di "killer".

Selezionare il numero di vite e la difficoltà del segmento (tutti i segmenti, segmento doppio o segmento triplo) con le opzioni da 003 a 321, che rappresentano da 3 a 21 vite e la difficoltà del segmento.

Opzione	Vite	Area di tiro (killer)
003	3	singolo, doppio, triplo
005	5	singolo, doppio, triplo
.....	...	singolo, doppio, triplo
021	21	singolo, doppio, triplo
203	3	doppio
205	5	doppio
...	doppio
221	21	doppio
303	3	Triplo
305	5	Triplo
....	Triplo
321	21	Triplo

G08 SHOOT-OUT

OPZIONE: -03, -04, -05 -19, -20, -21

Il computer visualizzerà un punteggio casuale che il giocatore deve raggiungere. Un tiro corretto dà diritto al punteggio. Il primo giocatore che colpisce 3, 4, ... 21 a seconda del livello di difficoltà, vince. Se un giocatore non colpisce il bersaglio entro 10 secondi, conta come aver colpito il numero errato e il turno passa a un altro giocatore. In questo gioco i doppi e i tripli sono considerati come singoli.

G09 LIVES

OPZIONE: 003, 004, 005, 006, 007, 008, 009

In questo gioco è necessario colpire i numeri da 1 a 20 in una sequenza continua. I giocatori, a turno, colpiscono il numero 1 al primo turno, il numero 2 al secondo turno e così via, fino al numero "25" al 21° turno, quindi il numero 1 al 22° turno e così via. Ogni giocatore deve colpire il numero con una freccetta per turno. Il giocatore perde una vita se manca con tutte e 3 le freccette. L'ultimo giocatore rimasto è il vincitore.

003, 004, 005009 rappresentano rispettivamente 3, 4, 5... 9 vite.

G10 SIMPLE CRICKET

OPZIONE: C00, C20, C25 / DOUBLE BULL/ SINGLE BULL




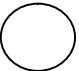
Cricket è un gioco molto popolare. Si gioca soltanto con i segmenti numerici da 15 a 20 e il B (Bull's Eye). Ciascun partecipante lancia 3 freccette. Un segmento numerico deve essere colpito 3 volte dal giocatore affinché il segmento sia "aperto" a tale giocatore. A questo punto, il giocatore può fare punti nel segmento aperto. Se l'avversario colpisce lo stesso segmento per tre volte, quest'ultimo viene chiuso. Non è più possibile fare punti in un segmento chiuso. I segmenti doppi o tripli contano come 2/3 tiri. I segmenti possono essere aperti e chiusi nell'ordine stabilito dall'opzione selezionata. I segmenti possono essere aperti o chiusi in qualsiasi ordine. Il giocatore che chiude più segmenti e ottiene il punteggio più alto vince. La strategia è quindi decidere se chiudere un segmento o cercare di accumulare punti. Se un giocatore ha chiuso gran parte dei segmenti ma ha accumulato un punteggio basso non può vincere il gioco. Quando tutti i segmenti sono chiusi, la partita è finita. Il giocatore che ottiene più punti vince. Selezionare le opzioni:

C00: aprire i numeri in qualsiasi ordine

C20: aprire i prima il numero 20, poi aprire in ordine:

19, 18, 17, 16, 15 & l'Occhio del toro

C25: aprire prima l'Occhio del toro, poi aprire in ordine 15, 16, 17, 18, 19 & 20.

Cricket	Una volta	Due volte	Aperto	Chiuso
Simbolo				

G11 NO SCORE CRICKET

OPZIONE: 000, 020, 025 / DOUBLE BULL/ SINGLE BULL

Questa è una versione semplificata di Cricket. L'obiettivo è quello di chiudere tutti i numeri il più presto possibile. Non vengono assegnati punti se si colpisce un numero già chiuso. Quindi, quando un numero viene colpito tre volte, bisogna passare ad altri bersagli. Vince chi registra tutti e tre i colpi su tutti i numeri per primo. Selezionare le opzioni:

000: aprire i numeri in qualsiasi ordine

020: aprire i prima il numero 20, poi aprire in ordine:

19, 18, 17, 16, 15 & l'Occhio del toro

025: aprire prima l'Occhio del toro, poi aprire in ordine 15, 16, 17, 18, 19 & 20.

G12 CUT THROAT CRICKET

OPZIONE: 00C, 20C, 25C / DOUBLE BULL/ SINGLE BULL

Questa è una versione invertita di Cricket nel punteggio e solitamente è giocata a tre giocatori. Due dei giocatori si possono alleare contro il terzo, prima di lottare l'uno contro l'altro. Dopo che un numero è stato chiuso, un colpo viene aggiunto al punteggio degli avversari. Il punteggio più alto perde. Tuttavia, non vengono aggiunti punti a un giocatore che ha già chiuso quel numero. Vince colui che ha il punteggio più basso e che chiude tutti i numeri per primo. Se un giocatore ha chiuso tutti i numeri per primo, ma ha un punteggio più alto, deve continuare a

lanciare per cercare di portare il punteggio dell'avversario a superare il proprio. Quindi la strategia migliore è quella di chiudere i numeri al più presto, impedendo agli avversari di dare punti e allo stesso tempo potendo penalizzare gli altri.

Selezionare le opzioni:

00C: aprire i numeri in qualsiasi ordine

20C: aprire i prima il numero 20, poi aprire in ordine:

19, 18, 17, 16, 15, & l'Occhio del toro

25C: aprire prima l'Occhio del toro, poi aprire in ordine 15, 16, 17, 18, 19 & 20.

G13 KILLER CRICKET

OPZIONE: H00, H20, H25 / DOUBLE BULL/ SINGLE BULL

Questo gioco assomiglia al No Score Cricket, con un tocco in più: quando un numero viene aperto, il giocatore ha l'opportunità di eliminare i punti degli avversari colpendo lo stesso numero ancora una volta. Tuttavia, se anche l'avversario ha chiuso quel numero, non gli verranno tolti punti. Nota: anziché accendere una luce, ciascun punteggio positivo farà spegnere una luce sullo schermo. Il giocatore che chiude tutti i numeri per primo vince. Esempio: per il numero 19, il Giocatore 1 ha un centro (un punto), il Giocatore 2 ha due centri (due punti), e il Giocatore 3 ha il numero 19 chiuso (tre punti). Il Giocatore 4 colpisce un 19 triplo, quindi chiude a sua volta il numero 19. Il Giocatore 4 mira al 19 e lo colpisce di nuovo: al Giocatore 1 e al Giocatore 2 viene tolto un punto per il 19, il Giocatore 3 non subisce conseguenze. Quindi i giocatori 1 e 2 hanno un colpo in più da fare per chiudere il 19. Il giocatore che chiude tutti i numeri per primo vince. Selezionare le opzioni:

H00: aprire i numeri in qualsiasi ordine

H20: aprire i prima il numero 20, poi aprire in ordine:

19, 18, 17, 16, 15 & l'Occhio del toro

H25: aprire prima l'Occhio del toro, poi aprire in ordine 15, 16, 17, 18, 19 & 20.

G14 SCRAM CRICKET

OPZIONE: Double Bull, Single Bull

Ogni giocatore lancia nei segmenti numerici 15 - 20 oltre al Centro /Bullseye. Un giocatore è il lanciatore e può ottenere punti, mentre l'altro giocatore è lo stopper e deve colpire una volta ogni segmento numerico e il Centro /Bullseye per chiuderlo. Il lanciatore non può ottenere altri punti su un segmento numerico chiuso. Il lanciatore cambia quando tutti i segmenti numerici sono chiusi. Ora il secondo giocatore diventa il lanciatore. Lo scopo di ogni lanciatore è ottenere più punti possibili. Il giocatore con il punteggio più alto dopo entrambi i turni è il vincitore.

G15 LOW PITCH CRICKET

OPZIONE: E00, E20, E25 / DOUBLE BULL/ SINGLE BULL

Questa versione di Cricket impiega i segmenti dai numeri più bassi del tabellone per cambiare il ritmo rispetto ai segmenti standard del gioco del Cricket: i giocatori dovranno "chiudere" i segmenti 1, 2, 3, 4, 5, 6, e il centro. Tutte le altre regole sono quelle del Cricket standard. Selezionare le opzioni:

E00: aprire i numeri in qualsiasi ordine

E20: aprire i prima il numero 20, poi aprire in ordine: 6, 5, 4, 3, 2, 1.

E25: aprire prima l'Occhio del toro, poi aprire in ordine 1, 2, 3, 4, 5 & 6.

G16 ENGLISH CRICKET

OPZIONE: Double Bull, Single Bull

Questo gioco è per 2 giocatori e consiste di due turni. Il primo giocatore deve colpire il Centro o il Bullseye fino a chiuderlo con 9 centri (9X). Il Bullseye vale doppio. 40 punti sono dedotti dai punti ottenuti dopo ogni lancio (3 freccette). Se il primo giocatore ha colpito 9 volte (9X) e quindi chiuso il Centro /Bullseye, passa il turno. Al termine del secondo turno, il giocatore con il punteggio più alto vince.

G17 DOUBLE ONLY CRICKET

OPZIONE: L00, L20, L25, Double Bull, Single Bull

Double Only Cricket ha le stesse regole del Cricket, ad eccezione che è necessario colpire il doppio di ogni numero designato prima che un giocatore possa fare punti con quel numero. Dopo aver colpito il doppio, quel numero può essere aperto. Quindi quel doppio, e tutti gli altri doppi, tripli e singoli di quel numero contano. Ad esempio, per aprire il 20, ogni giocatore deve colpire il doppio 20. Dopo aver colpito il doppio 20, un singolo 20 chiude quel segmento, un doppio lo apre e segna 20 punti e un terzo lo apre e segna 40 punti. Pertanto, è impossibile aprire o chiudere un numero con una freccetta.

G18 COLOR

OPZIONE: 100, 200, 300, 400, 500

Per cominciare questo gioco, ciascun giocatore deve lanciare una freccetta per stabilire a quale blocco / colore (colore #20 o colore #1) tirerà. (Se il giocatore colpisce il centro, deve lanciare nuovamente per stabilire il colore). Quindi ciascun giocatore proverà a colpire il proprio colore per far aumentare il proprio punteggio e raggiungere il punteggio totale (che deve essere stabilito e impostato nelle opzioni di gioco all'inizio della partita: 100, 200, 300, 400 o 500). Se un giocatore lancia una freccetta che colpisce il colore dell'avversario, il punto non conta. Il centro vale ai fini del punteggio totale. Il primo giocatore a raggiungere il punteggio finale stabilito vince.

G19 BONUS COLOR

OPZIONE: 100, 200, 300, 400, 500

Questo gioco si gioca come "Color" con la seguente eccezione: se un giocatore lancia una freccetta che colpisce il colore dell'avversario, il punto va a sommarsi al totale dell'avversario. Selezionare il numero di punti con le opzioni da 100 a 500, che rappresentano da 100 a 500 punti.

G20 CORRECTIONAL COLOR

OPZIONE: 100, 200, 300, 400, 500

Questo gioco si gioca come "Color" con la seguente eccezione: se un giocatore lancia una freccetta che colpisce il colore dell'avversario, il punto viene dedotto dal punteggio totale del giocatore. Selezionare il numero di punti con le opzioni da 100 a 500, che rappresentano da 100 a 500 punti.

G21 NO SCORE COLOR**OPZIONE: 003, 004, 005, 006, 007**

Questo gioco si gioca come "Color" con la seguente eccezione: ciascun giocatore mira al proprio colore per segnare un punto. Se un giocatore lancia una freccetta che colpisce il colore dell'avversario, il punto viene dedotto dal punteggio totale del giocatore e questi perde il turno. (Il centro vale ai fini del punteggio totale.) Il vincitore è l'unico giocatore cui rimangono punti (quando tutti i suoi avversari sono a zero). Il punteggio totale deve essere stabilito e impostato nelle opzioni di gioco all'inizio della partita: 3, 4, 5, 6, o 7 punti.

G22 FREE-DART COLOR**OPZIONE: 005, 010, 015, 020**

Questo gioco si gioca come "Color" con la seguente eccezione: ciascun giocatore mira al proprio colore per segnare il punteggio più alto possibile. Se un giocatore lancia una freccetta che colpisce il colore dell'avversario, non conta ai fini del punteggio totale. (Il centro vale ai fini del punteggio totale.) Il giocatore ad avere più punti quando tutte le freccette sono state lanciate, vince. Il numero totale di freccette lanciate deve essere stabilito e impostato nelle opzioni di gioco all'inizio della partita: 5, 10, 15, o 20 freccette totali.

G23 OVERS**OPZIONE: O03, O04...O20, O21 / DOUBLE BULL/ SINGLE BULL**

Questo è un gioco semplice e rapido. Ciascun giocatore deve cercare di segnare un punteggio pari o superiore al punteggio più alto segnato nel turno precedente. Quando un giocatore fa segnare meno punti del precedente totale a tre freccette, gli viene tolta una "vita". Ciascun giocatore ha a disposizione tre vite. L'ultimo giocatore ad avere ancora una vita a disposizione vince. Selezionare il numero di vite con le opzioni da O03 a O21, che rappresentano da 3 a 21 vite.

G24 UNDERS**OPZIONE: U03, U04... U20, U21 / DOUBLE BULL/ SINGLE BULL**

Questo gioco è simile a Overs, ma in questo caso l'obiettivo è quello di battere il record totale più basso di tre freccette. Quando il totale dopo il lancio delle tre freccette è superiore al record, al giocatore viene tolta una "vita". Qualsiasi lancio passato o qualsiasi colpo che va fuori dal bersaglio viene penalizzato con 60 punti (3 x 20, il punteggio massimo realizzabile con una sola freccetta). L'ultimo giocatore ad avere una vita a disposizione, vince. Selezionare il numero di vite con le opzioni da U03 a U21, che rappresentano da 3 a 21 vite.

G25 HALVE- IT**OPZIONE: DOUBLE BULL/ SINGLE BULL**

17, a qualsiasi triplo, al 18, al 19, al 20 e infine al centro del bersaglio. Ogni giocatore lancia tre freccette allo stesso numero, e poi passa al prossimo numero nel turno successivo. Tutti i punteggi saranno accumulati: il doppio conta come 2x ed il triplo come 3x i punti. Se un giocatore sbaglia tutti i lanci nello stesso turno, il suo punteggio sarà dimezzato. Vince il giocatore con più punti alla fine della

partita.

Turno	12	13	14	D	15	16	17	T	18	19	20	B	Totale
Giocatore													

D: Anelli del doppio

T: Anelli del triplo

B: Centro

G26 BIG-6**OPZIONE: b03, b04, b05...b19, b20, b21**

Il 6 singolo è il primo bersaglio da colpire quando inizia il gioco. Per salvarsi, il giocatore deve colpire l'obiettivo (il 6 in questo caso) entro le sue tre freccette. Se colpisce l'obiettivo con la prima o la seconda freccetta, il giocatore ha l'opportunità di scegliere con un lancio il bersaglio per l'avversario che lancerà dopo di lui. I singoli, i doppi e i tripli sono tutti considerati obiettivi diversi. La strategia è quella di scegliere l'obiettivo più difficile possibile per l'avversario, quale un 20 triplo o il centro. L'ultimo giocatore ad avere una vita a disposizione, vince. Selezionare il numero di vite con le opzioni da b03 a b21, che rappresentano da 3 a 21 vite.

G27 FORTY-ONE**OPZIONE: DOUBLE BULL/ SINGLE BULL**

Ogni giocatore inizia il gioco colpendo il numero 20, quindi 19, 18, 17, 16, 15, Bull's Eye, e segnando 41 punti. Ogni giocatore lancia tre freccette verso lo stesso numero, quindi prosegue al numero successivo al turno seguente. Tutti i punteggi vengono accumulati, i doppi raddoppiano i punti e i tripli li triplicano 3x. Un ulteriore turno da 41 punti è incluso dopo il bull's eye; è necessario passare attraverso questo turno per terminare la partita (41 è la somma da ottenere lanciando 3 freccette di fila). Al termine del gioco, il giocatore con il punteggio più alto vince.

	20	19	18	17	16	15	B	'41'	Totale
Giocatore 1									
Giocatore 2									

B: Bull's eye

G28 BINGO**OPZIONE: 132, 141, 168, 189**

Il bersaglio indicherà automaticamente il segmento da colpire. Il giocatore che per primo finisce di colpire tutti segmenti indicati per tre volte vince la partita.

132- Colpire i segmenti in questa sequenza: 15, 4, 8, 14, 3.

141- Colpire i segmenti in questa sequenza: 17, 13, 9, 7, 1.

168- Colpire i segmenti in questa sequenza: 20, 16, 12, 6, 2.

189- Colpire i segmenti in questa sequenza: 19, 10, 18, 5, 11.

Il giocatore deve colpire un numero tre volte per passare al segmento numerico successivo. Colpire il segmento singolo vale come un tiro; il segmento doppio vale due tiri; il segmento triplo vale tre tiri.

G29 DOUBLE DOWN**OPZIONE: DOUBLE BULL/ SINGLE BULL**

Il gioco inizia con un punteggio base di 40 per ogni giocatore. Il giocatore accumula punti colpendo il segmento attivo al turno corrente. Ad esempio, al primo turno il giocatore deve colpire il segmento 15. Se non viene colpito, il punteggio del giocatore verrà dimezzato. Il turno successivo è 16, e così via. Per D e T, il giocatore deve colpire qualsiasi doppio o triplo, con la stessa regola. Il giocatore che ottiene il punteggio più alto è il vincitore.

	15	16	D	17	18	T	19	20	B	Totale
Giocatore 1										
Giocatore 2										

D: Doppi

T: Tripli

B: Bull's eye

G30 21 POINTS**OPZIONE: 005, 006, 007, 008, 009, 010, 011**

Lo scopo del gioco è ottenere più numeri possibili. E' possibile ottenere un numero in due modi:

1. Fare esattamente 21 punti con 1, 2 o 3 freccette;
2. Oppure avere il punteggio maggiore se nessuno ha ottenuto 21 punti in quel round.

Il giocatore "fallisce" quando un punteggio è superiore a 21 punti e il giocatore non riesce a ottenere un numero. Quando il gioco è finito, il giocatore con più numeri vince. Selezionare il numero di round con le opzioni da 005 a 011, che rappresentano da 5 a 11 round.

G31 NINE DART CENTURY**OPZIONE: 100, 150, 200, DOUBLE BULL/ SINGLE BULL**

Le opzioni sono i punteggi target, cfr. tabella seguente.

Opzione	100	150	200
Punteggio Target	100 Punti	150 Punti	200 Punti

In questo gioco ogni giocatore ha a disposizione 9 freccette (tre turni) per segnare 100 (o 150, 200) punti senza superarli, o andare il più vicino possibile a 100. Se si supera il punteggio target si viene eliminate. Il tabellone annuncerà quindi "BUST". Le freccette che finiscono fuori dall'area di punteggio riportano il punteggio a zero. Le freccette che rimbalzano fuori non sono penalizzate e non segnano punti. Il numero colpito sul bersaglio sarà il proprio punteggio. Un doppio segmento vale il doppio dei punti e un terzo vale il triplo dei punti. Il giocatore che più si avvicina al Punteggio Target senza superarlo è il vincitore.

G32 FOOTBALL

I giocatori devono selezionare per prima cosa il loro campo di gioco, lanciando una freccetta sul bersaglio. Dopo aver selezionato il campo di gioco, è necessario iniziare dal segmento doppio e proseguire verso il bull's eye colpendo tutti i segmenti intermedi, quindi andare a ritroso in rigida sequenza. Lo status del giocatore è indicato sul display. Ad esempio, se un giocatore sceglie il segmento 11, dovrà colpire: D-11, S-11, T-11, S-11, centro esterno, centro interno, centro

esterno, S-6, T-6, S-6 e infine D-6. Il primo giocatore che termina il suo campo di gioco è il vincitore.

G33 SHOOTING I**OPZIONE: DOUBLE BULL/ SINGLE BULL**

In questo gioco, ciascun giocatore lancia tre freccette. Il giocatore avente il totale più elevato in seguito al lancio di tutte e 3 le freccette vince la mano. Si gioca fino a quando uno dei due giocatori non raggiunge un totale di 7 turni vinti.

G34 SHOOTING II**OPZIONE: DOUBLE BULL/ SINGLE BULL**

Questo gioco si gioca proprio come il Shooting I, ma in questo caso contano ai fini del punteggio solo le freccette che atterrano su aree di singolo, doppio o triplo dei seguenti numeri: 15, 16, 17, 18, 19, 20, centro (Bullseye). Vince chi si aggiudica per primo 7 turni.

G35 SHOOTING III**OPZIONE: DOUBLE BULL/ SINGLE BULL**

Questo gioco si gioca esattamente come Shooting I. La partita dura 6 turni e vince il primo ad aggiudicarsi la vittoria in quattro turni.

G36 SHOOTING IV**OPZIONE: DOUBLE BULL/ SINGLE BULL**

Questo gioco si gioca proprio come il Shooting I, ma in questo caso contano ai fini del punteggio solo le freccette che atterrano su aree di singolo, doppio o triplo dei seguenti numeri: 15, 16, 17, 18, 19, 20, centro (Bullseye). La partita dura 7 turni e vince il primo ad aggiudicarsi la vittoria in quattro turni.

RISOLUZIONE DEI PROBLEMI

Manca l'alimentazione	Assicurarsi che sia adeguatamente inserito nella presa elettrica e che la spina CC sia adeguatamente connessa al jack CC a livello del bersaglio.
Il gioco non segna il punteggio	Verificare se il gioco si trova in modalità di configurazione o se è in pausa o se sta procedendo alla verifica del punteggio. Premere il pulsante MANCATO/ per 2 secondi per controllare se il gioco si avvia. Si può anche verificare se vi sono segmenti o tasti funzione bloccati.
Segmento o tasto bloccato	Durante la spedizione o nel corso del gioco è possibile che alcuni segmenti si blocchino temporaneamente. Se ciò dovesse accadere, si interromperebbero tutte le funzioni di punteggio automatico. Rimuovendo delicatamente la freccetta o muovendo il segmento con il dito sarà possibile liberare il segmento. Il gioco può quindi riprendere e le funzioni di punteggio torneranno alla normalità.
Rimuovere le punte rotte	Le punte morbide si possono rompere e rimanere attaccate al tabellone. In questo caso, provate ad estrarle delicatamente servendovi di un paio di pinzette. Nota bene: più la freccetta è pesante, maggiore è il rischio che la punta si pieghi o si rompa.
Interferenza elettrica o elettromagnetica	Qualora vi fossero interferenze elettromagnetiche, l'elettronica del tiro a segno potrebbe mostrare un comportamento erratico o smettere di funzionare. (ad esempio: un violento temporale, un sovraccarico della linea elettrica, una parziale o temporanea sospensione della fornitura elettrica o un'eccessiva vicinanza ad un motore elettrico o a un forno a microonde). Per riportare la partita al funzionamento normale, estrarre l'adattatore dalla presa di corrente e dal bersaglio per 2 secondi. Assicurarsi di aver rimosso la fonte dell'interferenza.

Se il bersaglio viene aperto o smantellato, la garanzia è nulla.

INDICAZIONI DI SICUREZZA

AVVERTENZA!

I terminali di alimentazione non devono essere messi in corto circuito. Servirsi unicamente dell'adattatore CA raccomandato (vedi istruzioni di montaggio). L'adattatore non è un giocattolo!

Evitare di sottoporre il bersaglio a climi o temperature estremi. Evitare che il bersaglio entri in contatto con liquidi di qualsiasi tipo o con un'eccessiva umidità. Pulire il bersaglio servendosi unicamente di un panno bagnato e / o un detergente delicato. Prima di procedere alla pulizia, scollegare il bersaglio dalla corrente elettrica.

Esaminare regolarmente le condizioni dell'adattatore CA per escludere l'eventuale presenza di danni a livello del relativo cavo, della spina, del corpo o di altre parti.

Nell'eventualità di tali danni, non utilizzare il bersaglio fino a quando il guasto non sia stato riparato.

AVVERTENZA! Le freccette sono uno sport da adulti, non un giocattolo. Non va utilizzato da bambini se non con la supervisione di un adulto. Leggere attentamente le presenti istruzioni. Non puntare le freccette verso persone o animali. Un utilizzo adeguato di questo gioco può evitare danni o infortuni.

RICICLAGGIO



Il simbolo del cestino dei rifiuti con la croce indica che questo prodotto e l'adattatore non possono essere gettati via con i rifiuti domestici. Questi devono essere smaltiti a parte. Una volta giunte al termine del loro periodo utile vanno consegnate ad un punto di raccolta autorizzato in modo che possano essere riciclate. Questo piccolo gesto protegge l'ambiente e la tua salute!

CARROMCO GmbH & Co. KG

Mühlenweg 144, 22844 Norderstedt, Germany

Tel.: +49 (0) 1805 25 63 63

service@carromco.com www.carromco.com

Conservare per eventuali riferimenti futuri
FABBRICATO IN CINA



14+



LDPE



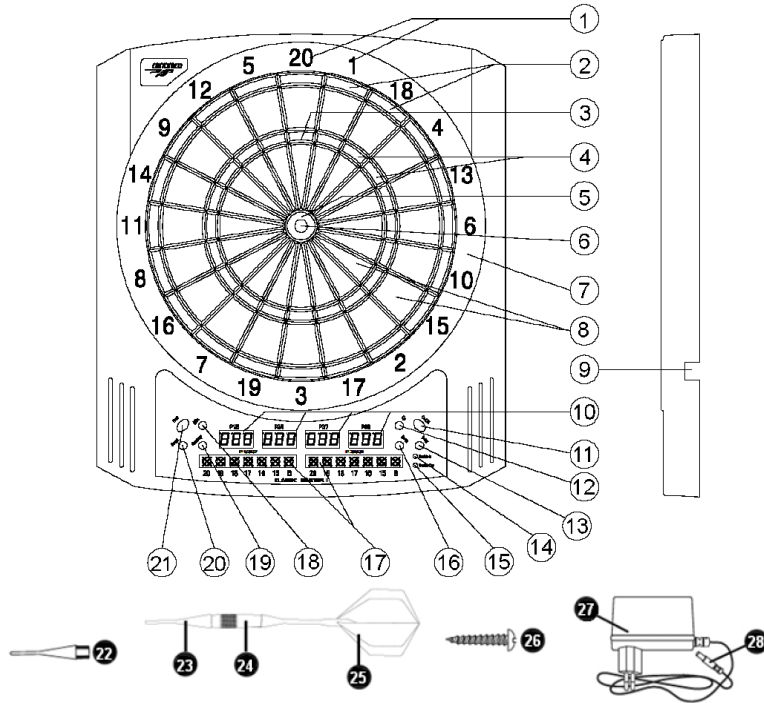
PAP



BESCHRIJVING ELEKTRONISCH DARTSPEL MET ZACHTE PUNTEN

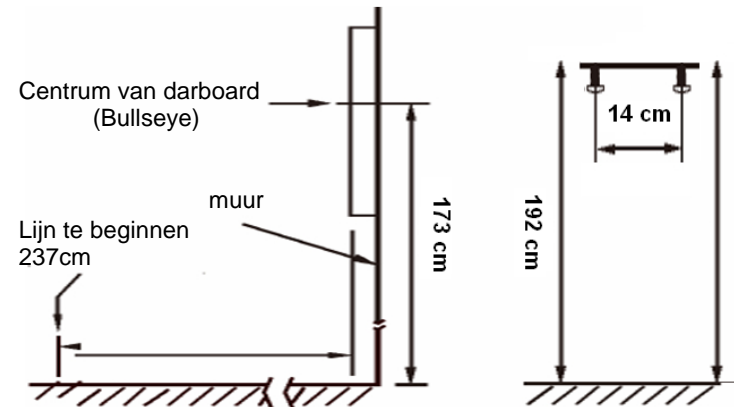
NEDERLANDS

Universum Intro




- | | |
|-----------------------------------|--------------------------|
| 1. Sectienummers | 15. Double Out |
| 2. Dubbele ringen (x2) | 16. Knop DOWN (omlaag) |
| 3. Triple 20 Topscore (60 punten) | 17. Cricket scherm |
| 4. Driedubbele ringen (x3) | 18. Knop MISS (mis) |
| 5. Buitenrand roos (25 punten) | 19. Knop HANDICAP |
| 6. Roos (50 punten) | 20. Geluid aan/uit |
| 7. Buitenzone (0 punten) | 21. Knop NEXT (volgende) |
| 8. Enkele ringen (x1) | 22. Reserve punt x 20 |
| 9. Adapteraansluiting | 23. Soft tip |
| 10. Score-overzicht | 24. Barrel |
| 11. Aan/ Uit- schakelaar | 25. Shaft & Flight |
| 12. Knop UP (omhoog) | 26. Schroef x 2 |
| 13. Knop ENTER | 27. Adapter 4,5V, 500mA |
| 14. Double In | 28. Stekker |

MONTAGE-INSTRUCTIES



BENODIGD GEREEDSCHAP VOOR MONTAGE:

Schroevendraaier en boor - (niet inbegrepen)

1. De pijlen in elkaar zetten: Schroef de punt (tip) en schacht in de greep (houvast). Indien extra flights meegeleverd zijn, buig de flight in zijn correcte vorm en steek deze in de schacht.
2. Hang het dartbord aan de wand met behulp van de twee montagegaten achteraan. Er zijn 2 schroeven meegeleverd om het dartbord aan de muur te monteren. Als de meegeleverde schroeven niet voor uw muur geschikt zijn, vervang deze door passende schroeven. Zorg dat er zich een stopcontact in de buurt bevindt. In overeenstemming met het internationaal dartreglement, dient het midden van het dartbord zich op 1,73 m (68") boven de vloer te bevinden en de afstand tussen de gooilijn en het bord moet 2,37 m (7 feet 9 ¼ inches) zijn.
3. Maak twee markering naast elkaar op een hoogte van 192cm (75 5/8") boven de vloer en op een afstand van 14 cm (5 1/2") van elkaar. Schroef twee schroeven in de aangegeven markeringen totdat de schroefkoppen circa 13mm (1/2") uit de muur uitsteken.
4. Breng de montagegaten achteraan het dartbord op één lijn met de schroefkoppen en hang het bord vervolgens aan de muur. Indien nodig, pas de schroeven aan zodat het bord perfect tegen de muur is geplaatst.
5. Sluit de AC-adapter (optioneel) aan op het stopcontact en sluit de DC-stekker aan op het dartbord. De AC-adapter moet een uitgang van 230V, AC – 4,5V DC, 500mA hebben.

6. Maak uzelf vertrouwd met de functies van uw dartbord voordat u deze gebruikt. Raadpleeg eerst het hoofdstuk PROBLEEMOPLOSSING in deze handleiding indien u opmerkt dat het dartbord op een verkeerde manier functioneert.

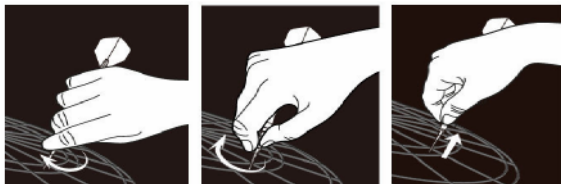
TIPS EN ADVIES

Dit spel is alleen ontworpen voor gebruik met **PIJLEN MET ZACHTE PUNTEN**. Pijlen met stalen punten zullen het dartbord beschadigen. Gooi de pijlen tegen de juiste kracht en op de juiste afstand. Het is niet nodig om hard te gooien zodat de pijlen in het bord blijven steken.

Het aanbevolen gewicht van pijlen met zachte punten is maximum 16 gram.

Gebruik gelijksoortige pijlen met een zachte punt, die met dit spel worden meegeleverd, zodat het afketsen wordt beperkt.

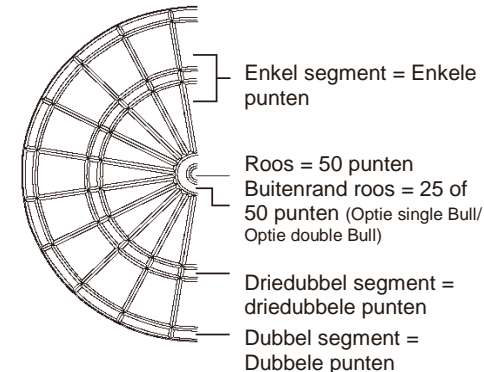
Gebruik geen pijlen met lange punten want deze breken of buigen sneller. Om de pijl op een eenvoudige wijze uit het bord te halen, draai de pijl iets naar rechts tijdens het uittrekken.



PUNTEN BEREKENEN

Een worp
Een worp bestaat uit 3 pijlen.

Ricochet en gemiste pijlen
Een afgekaatste pijl of pijl dat buiten het speloppervlak terecht komt telt niet en mag niet opnieuw worden



INSTELLING EN FUNCTIE

START
ON/OFF
(AAN/UIT)

Druk op de AAN/UIT-knop om het instellen te starten. Tijdens het inschakelen, branden er enkele displays en hoort u een welkomstmelodie. Eenmaal de melodie stopt, tonen het speler- en scoredisplay respectievelijk "G01" en "301".

SPEL + OPTIES
UP/DOWN
(OMHOOG/OMLAAG)
ENTER
(INVOEREN)

Druk op de UP en DOWN (OMHOOG en OMLAAG) knoppen om de spelen cyclisch te doorlopen (Zie tabel "SPELKEUZE"). Zodra het door jou gewenste spel verschijnt druk je als bevestiging op de ENTER (INVOEREN)-knop.

Druk op de UP en DOWN (OMHOOG en OMLAAG) knoppen om de spelopties cyclisch te doorlopen. Zodra de door jou gewenste speloptie verschijnt druk je als bevestiging op de ENTER (INVOEREN)-knop.

Bij enkele spelen bestaat de mogelijkheid om Double In and/or Double out te selecteren. Druk op de UP en DOWN (OMHOOG en OMLAAG)-knoppen om deze speciale functies cyclisch te doorlopen. Zodra de door jou gewenste speciale functie verschijnt druk je als bevestiging op de ENTER (INVOEREN)-knop.

SPELER
UP/DOWN
(OMHOOG/OMLAAG)
ENTER
(INVOEREN)

Druk op de OMHOOG of OMLAAG knop om het aantal spelers te kiezen. Er zijn in totaal 9 instellingen: van 1 speler tot 8 spelers-modus plus een solo (cyber) speler-modus. Druk op ENTER om uw spelersinstelling te bevestigen.

SOLO (CYBER)
UP/DOWN
(OMHOOG/
OMLAAG)
ENTER
(INVOEREN)

Als u de cyberspeler-modus kiest, zult u tegen de computer spelen. Druk op de OMHOOG of OMLAAG knop om het niveau van de solo (cyber)-speler te kiezen en druk op ENTER om het spel te starten. Er zijn vijf verschillende solo (cyber)-spelerniveaus:

- C1: Beginner
- C2: Halfgevorderde
- C3: Gevorderde
- C4: Expert
- C5: Professional

Druk op ENTER om de solo (cyber) spelkeuze te bevestigen.

RESET
MISS (RESET)

Als u het spel opnieuw wilt instellen, druk en houd de MIS knop gedurende minstens 2 seconden ingedrukt.

SCORES
ENTER
(INVOEREN)

Druk tijdens het spel op ENTER om de scores van de spelers te bekijken.

EINDE
ON/OFF
(AAN/UIT)

Druk op de AAN/UIT-knop om het spel uit te schakelen. Om energie te besparen is het bord voorzien van een automatische uitschakelingsfunctie: als het spel gedurende 30 minuten niet wordt aangeraakt, wordt deze automatisch uitgeschakeld.

GELUID
SOUND
(GELUID)

Dit bord is voorzien van een geluidsschakelaar aan de linkerkant. U kunt het geluid tijdens het spelen in- of uitschakelen.

HANDICAP
HANDICAP
UP/DOWN
(OMHOOG/
OMLAAG)
ENTER
(INVOEREN)

In bepaalde spellen kan na het selecteren van het aantal spelers de handicapmodus worden geselecteerd (voordat u op de Enter knop drukt). Druk op Handicap om de handicapmodus te openen. Druk vervolgens op Omhoog / Omlaag om de handicap-optie voor elke speler te selecteren. Druk op Handicap om naar de volgende speler te gaan.

**SINGLE/
DOUBLE BULL**
UP/DOWN
(OMHOOG/
OMLAAG)
ENTER
(INVOEREN)

In geval het spel Double en Single bull-opties heeft, druk op de OMHOOG of OMLAAG knop om te kiezen. Druk op ENTER om de Single/ Double Bull-keuze te bevestigen.

SPELER
WIJZIGEN
NEXT
(VOLGENDE)

Als de computer tijdens het spel "NEXT" (volgende) aangeeft, zal geen enkele druk op de segmenten het dartboard activeren. De speler dient alle pijlen te verwijderen en op VOLGENDE te drukken om naar de volgende speler te gaan. Het dartbord schakelt automatisch naar de volgende speler als het bord na circa 10 seconden na de "NEXT" (volgende) mededeling niet wordt aangeraakt. Haal de pijlen uit het bord door deze voorzichtig met de klok mee te draaien en opwaarts uit het bord te trekken.

SCORE
OVERZICHT
NEXT
(VOLGENDE)

Het spel eindigt wanneer de winnaar is bepaald of wanneer alle spelers hun eindscore hebben bereikt (zie elk spel voor details). Gebruik de VOLGENDE knop om de eindpositie en score te bekijken.

MIS
MISS (MIS)

Druk op MIS om een score van 0 aan te geven en één pijl te registreren wanneer een pijl afkaatst of het bord volledig mist.

SPELKEUZE

Spel	Omschrijving	Display	Aantal opties/ varianties	Aantal spelers
G01	301	3O1	7/56	1-8
G02	301 League	CO1	7/224	1-8
G03	CountUp	CUP	9/18	1-8
G04	Round the Clock	rCL	12	1-8
G05	Shanghai	Shi	4	1-8
G06	High Score	HiS	12/24	1-8
G07	Killer	LLr	30	2-8
G08	Shoot-out	S-0	19	1-8
G09	9 lives	9Li	7	2-8
G10	Cricket	Cri	3/6	1-8
G11	No Score Cricket	NSc	3/6	1-8
G12	Cut Throat Cricket	CUc	3/6	1-8
G13	Killer Cricket	LLc	3/6	2-8
G14	Scram Cricket	SCc	1/2	2
G1 5	Low Pitch Cricket	LPc	3/6	1-8
G16	English Cricket	Enc	1/2	2
G17	Double Only Cricket	dbc	3/6	1-8
G18	Color	CL2	5	1-8
G19	Bonus Color	bC2	5	1-8
G20	Correctional Color	CC2	5	1-8
G21	No score Color	NC2	5	2-8

G22	Free-Dart Color	FdC	4	1-8
G23	Overs	orS	19/38	2-8
G24	Unders	Und	19/38	2-8
G25	Halve-it	HAL	1/2	1-8
G26	Big-6	biG	19	2-8
G27	Forty-One	For	1/2	1-8
G28	Bingo	bin	4	1-8
G29	Double Down	ddn	1/2	1-8
G30	21 points	21P	7	1-8
G31	Nine Dart Century	Ndc	3/6	1-8
G32	Football	Ftb	1	1-8
G33	Shooting I	S-1	1/2	1-8
G34	Shooting II	S-2	1/2	1-8
G35	Shooting III	S-3	1/2	1-8
G36	Shooting IV	S-4	1/2	1-8

OPTIES HANDICAP

Spel	Omschrijving	Opties Handicap
G01	301	-20, -40, -60, -80 punten
G02	301 League	-20, -40, -60, -80 punten
G03	Count Up	+20, +40, +60, +80 punten
G05	Shanghai	+20, +40, +60, +80 punten
G06	High Score	+20, +40, +60, +80 punten
G07	Killer	-1, -2, -3, -4 leven
G08	Shoot out	+1, +2, +3, +4 punten
G09	9 Lives	-1, -2, -3, -4 leven
G18	Color	+20, +40, +60, +80 punten
G19	Bonus Color	+20, +40, +60, +80 punten
G20	Correctional Color	+20, +40, +60, +80 punten
G21	No score Color	-1, -2, -3, -4 leven
G22	Free-Dart Color	+20, +40, +60, +80 punten
G23	Overs	-1, -2, -3, -4 leven
G24	Unders	-1, -2, -3, -4 leven
G25	Halve-it	+20, +40, +60, +80 punten
G26	Big-6	-1, -2, -3, -4 leven
G27	Forty-One	+20, +40, +60, +80 punten
G29	Double Down	+20, +40, +60, +80 punten
G30	21 points	1, +2, +3, +4 punten

HOE HET SPEL WORDT GESPEELD

- De beurt van elke speler wordt aangegeven met P-1, P-2 ...P-8 (P = player, speler)
- Elke speler mag per beurt drie darts gooien.
- Dit elektronisch darts spel toont de totale scores en onthult automatisch de doelen.
- Wacht altijd tot het bord het geluidssignaal heeft gegeven, voordat je gaat gooien.

SPELREGELS

G01

301-999

OPTION: 301, 501, 601, 701, 801, 901, 999 / DOUBLE BULL/ SINGLE BULL

Dit is het meest populaire darts spel dat in het merendeel van de competities en tornooien wordt gespeeld. Elke speler start het spel met 301 punten (of 501, 601, enz.). Aan het einde van de beurt van een speler wordt de som van de drie pijlen verminderd van de score van de speler. De speler die precies nul bereikt wint het spel. Het spel kan worden voortgezet totdat de 2e, 3e en 4e plaats wordt bepaald. Om het spel uitdagender te maken kunt u DOUBLE IN en/of DOUBLE OUT selecteren om bijkomende beperkingen in te stellen bij het starten en beëindigen van het spel. U kunt uit volgende opties kiezen:

SiO (Standard): Het scoren begint en eindigt wanneer om het even welk nummer wordt getroffen. De speler kan het spel beëindigen met het treffen van een nummer dat de score precies op nul brengt. De ronde is een "bust" als een speler de nodige score om precies nul te bereiken overschrijdt en de score wordt teruggezet op die van de vorige ronde.

diO - Double In: Het scoren begint wanneer een nummer in de dubbele ring of in de dubbele roos wordt getroffen. De score wordt pas berekend eenmaal aan deze voorwaarde wordt voldaan.

SdO - Double Out: De speler kan het spel beëindigen wanneer een nummer in de dubbele ring of de dubbele roos wordt getroffen dat ervoor zorgt dat de score precies op nul komt. De ronde is een "bust" als een speler de nodige score om precies nul of "1" te bereiken overschrijdt en de score wordt teruggezet op die van de vorige ronde (Een resterende "1" score is ook een bust, aangezien het niet mogelijk is om de score op nul te brengen met het treffen van een dubbele ring of roos).

diS - Double In + Double Out: De puntentelling begint zodra een getal in de dubbel-ring of de dubbele bull's eye is geraakt en stopt zodra die dubbel-ring of de bull's eye is geraakt, waarmee de score precies op 0 komt.

G02

301-999 LEAGUE

OPTION: 301, 501, 601, 701, 801, 901, 999 / DOUBLE BULL/ SINGLE BULL zijn altijd 2 teams en tot 4 spelers per team. Bijvoorbeeld: Speler 1 en Speler 3 spelen tegen Speler 2 en Speler 4. Het spel wordt op dezelfde manier gespeeld als het individuele 301-999 spel.

Opties: 2C, 3C, 4C, Cyb

2C: 2 spelers in elk team

3C: 3 spelers in elk team

4C: 4 spelers in elk team
Cyb: 1 speler in elk team

G03 **COUNT UP**

OPTION: 100, 200, 300, 900 / DOUBLE BULL/ SINGLE BULL

Dit is een eenvoudig spel dat iedereen kan spelen. Het doel van het spel is de andere spelers verslaan door als eerste een vooraf ingestelde score te bereiken. De mogelijke instellingen zijn: 100, 200, 300, 400, 500, 600, 700, 800 en 900. Elke speler moet proberen om een zo hoog mogelijke score te bereiken tijdens zijn/haar beurt. De totale eindscore mag meer zijn dan de vooraf ingestelde score.

G04 **ROUND THE CLOCK**

OPTION: 105, 110, 115, 120, 205, 210, 215, 220, 305, 310, 315, 320

De speler probeert om nummers in een stijgende volgorde te treffen (afhankelijk van de gekozen optie): van 1 tot 5, 1 tot 10, 1 tot 15, of 1 tot 20. Als een nummer wordt getroffen, gaat het spel verder om het volgende nummer te schieten. De winnaar is de speler die tijdens het spel het eerste het laatste nummer van de reeks treft. Kies de opties:

105,110,115,120: Het laatste getal is respectievelijk 5,10,15,20 ongeacht of het om single, double of triple gaat.

205,210,215,220: Het laatste getal is respectievelijk 5,10,15,20 alleen double geldt.

305,310,315,320: Het laatste getal is respectievelijk 5,10,15,20 alleen triple geldt.

G05 **SHANGHAI**

OPTION: L01, L05, L10, L15

Dit spel vertoont gelijkenissen met Round-The-Clock. De spelers starten met het schieten van het nummer 1 (of 5 of 10 of 15) en gaan verder tot 20 en roos. Er wordt geen score aangerekend wanneer een getal wordt getroffen die de volgorde niet volgt. Het treffen van een dubbel of driedubbel krijgt een score van 2x of 3x het nummer. De scores worden opgeteld. De speler die de meeste punten behaald heeft gewonnen. Kies de opties:

Optie L01: het spel begint bij segment 1

Optie L05: het spel begint bij segment 5

Optie L10: het spel begint bij segment 10

Optie L15: het spel begint bij segment 15

G06 **HIGH SCORE**

OPTION: H03, H04,..... H13, H14 / DOUBLE BULL/ SINGLE BULL

Dit spel vertoont gelijkenissen met Count-Up. Het enige verschil is dat het spel eindigt na het geselecteerde aantal ronden. De winnaar is de speler die de hoogste eindscore heeft. Selecteer het aantal ronden met de opties H03 tot H14 wat voor 3 tot 14 ronden staat.

G07 **KILLER**

Het doel van dit spel is om de tegenspelers te "doden" en zelf in leven te blijven. De winnaar is de speler die aan het einde nog "leeft". In optie 303 – 321 wordt er

geen rekening met Bulls en Bulls eye gehouden. Deze velden zijn uitgeschakeld. Elke speler moet zijn eigen cijfersegment gooien. Het display zal "SEL" weergeven. Als een speler het bord mist of bulls eye of een cijfersegment raakt die reeds door een andere speler is geraakt, dan moet hij nogmaals gooien. Het spel begint eenmaal elke speler een cijfer heeft. Elke speler probeert om zijn eigen nummer te raken zodat hij een "killer" wordt. Eenmaal een speler een killer is, moet hij al zijn tegenspelers "doden" door hun cijfersegmenten te raken totdat al hun "levens" op zijn. Als een killer zijn eigen cijfersegment raakt, verliest hij zijn status van "killer" en tevens één leven. Hij krijgt opnieuw de status van "killer" als hij nogmaals zijn eigen cijfersegment raakt. De laatste overlevende wint het spel. Om het spel moeilijker te maken, moet elke speler proberen om de dubbele (of driedubbele) velden van zijn eigen cijfer te raken alvorens hij een "killer" wordt.

Selecteer het aantal levens en de segment-moeilijkheidsgraad (alle segmenten, dubbel segment of driedubbel segment) met de opties 003 tot 321 om tussen 3 en 21 levens en de segment-moeilijkheidsgraad in te stellen.

Option	Leven	Schietzone (killer)
003	3	Enkel, dubbel, driedubbel
005	5	Enkel, dubbel, driedubbel
.....	...	Enkel, dubbel, driedubbel
021	21	Enkel, dubbel, driedubbel
203	3	dubbel
205	5	dubbel
...	dubbel
221	21	dubbel
303	3	driedubbel
305	5	driedubbel
....	driedubbel
321	21	driedubbel

G08 **SHOOT-OUT**

OPTION: -03, -04, -05 -19, -20, -21

De computer toont een willekeurig gekozen (random) score die een speler moet treffen. Wanneer hij treft scoort hij een punt. De speler die, afhankelijk van de moeilijkheidsgraad als eerste de grens van 3, 4 21 bereikt heeft gewonnen. Treft een speler het bord niet binnen tien (10) seconden, dan toont het automatisch een andere score die de speler moet treffen en telt deze worp alsof u een verkeerde score hebt geraakt. In dit spel tellen Dubbele en Driedubbele als Enkele.

G09 **LIVES**

OPTION: 003, 004, 005, 006, 007, 008, 009

Dit spel wordt gespeeld met de cijfers 1 tot 20 en Bulls eye in een lus op volgorde. De spelers gooien om de beurt 1 in de eerste ronde, 2 in de tweede ronde, en zo verder, tot "25" in de 21ste ronde, 1 in de 22ste ronde enzoverder. Elke speler

moet in elke ronde met één pijl het doeltijfer raken. De speler verliest één leven als alle 3 de pijlen het doeltijfer niet raken. De laatste overblijvende speler is de winnaar.

003, 004, 005009 stellen respectievelijk 3, 4, 5 9 levens voor.

G10 SIMPLE CRICKET


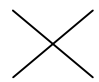
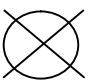
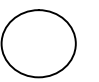
OPTION: C00, C20, C25 / DOUBLE BULL/ SINGLE BULL

Cricket is een zeer populair spel. Er wordt alleen gespeeld met de nummersegmenten van 15 tot 20 en de B (Bull/Bullseye). Elke deelnemer gooit drie (3) darts. De speler moet een nummersegment drie keer treffen waarna het segment voor de speler geopend is. Nu kan hij in het geopende nummersegment scoren. Treft de tegenstander het nummersegment ook drie keer, dan wordt het weer gesloten. Op een gesloten nummersegment kan niet meer worden gescoord. Double- of triple-segmenten tellen als twee of drie treffers. De segmenten kunnen naar gelang de gekozen optie worden geopend en gesloten. De segmenten kunnen in willekeurige volgorde worden geopend en gesloten. de speler die de meeste segmenten sluit en de hoogste score behaalt heeft gewonnen. De strategie is dus om te beslissen of het belangrijker is om een segment te sluiten of om eerst punten te verzamelen. Want een speler die de meeste segmenten sluit, maar minder punten heeft gescoord, kan het spel niet winnen. Het spel is ten einde als alle segmenten gesloten zijn. De speler die de meeste punten behaalt heeft gewonnen. Kies de opties:

C00: de nummers worden in willekeurige volgorde geopend

C20: nummer 20 wordt het eerst geopend, daarna worden in de volgorde 19, 18, 17, 16, 15 en Bulls eye geopend

C25: Bulls eye wordt het eerst geopend, daarna gaan de nummers open in e volgorde 15, 16, 17, 18, 19 en 20

Cricket	Een keer	Twee keer	Open	Gesloten
Teken				

G11 NO SCORE CRICKET

OPTION: 000, 020, 025 / DOUBLE BULL/ SINGLE BULL

Dit is een vereenvoudigde versie van *Cricket*. Het doel is om alle nummers zo vlug mogelijk te sluiten. Er wordt geen score gegeven bij het treffen van een reeds gesloten nummer. Richt u op de andere doelen eenmaal u een nummer drie maal hebt getroffen. De winnaar is de speler die als eerste alle nummers drie maal heeft getroffen. Kies de opties:

000: de nummers worden in willekeurige volgorde geopend

020: nummer 20 wordt het eerst geopend, daarna worden in de volgorde 19, 18, 17, 16, 15 en Bulls eye geopend

025: Bulls eye wordt het eerst geopend, daarna gaan de nummers open in e volgorde 15, 16, 17, 18, 19 en 20

G12 CUT THROAT CRICKET

OPTION: 00C, 20C, 25C / DOUBLE BULL/ SINGLE BULL

Het scoren gebeurt op de tegenovergestelde manier van Cricket. De populairste spelversie is met drie spelers. Twee van de spelers kunnen zich verenigen om tegen een derde speler te spelen alvorens het tegen elkaar op te nemen. Na het sluiten van een nummer wordt de score van het treffen toegevoegd aan de scores van de tegenspelers. De deelnemer met de hoogste score is de verliezer. Er wordt echter geen score toegevoegd aan een speler die het nummer reeds heeft gesloten. De winnaar is de speler die als eerste alle nummers heft gesloten en de laagste score heeft. Als een speler als eerste alle nummers heft gesloten maar een hogere score heeft, moet hij/zij blijven gooien om de scores van zijn deelnemers gelijk of hoger dan zijn/haar eigen score te brengen. De beste strategie is om alle nummers zo vlug mogelijk te sluiten zodat de andere spelers geen punten aan u kunnen geven en u de kans hebt om de anderen te behoeden. Kies de opties:

00C: de nummers worden in willekeurige volgorde geopend

20C: nummer 20 wordt het eerst geopend, daarna worden in de volgorde 19, 18, 17, 16, 15 en Bulls eye geopend

25C: Bulls eye wordt het eerst geopend, daarna gaan de nummers open in e volgorde 15, 16, 17, 18, 19 en 20

G13 KILLER CRICKET

OPTION: H00, H20, H25 / DOUBLE BULL/ SINGLE BULL

Dit spel toont vele gelijkenissen met Geen score cricket, maar dan met een extra wending. Als een nummer is open, heeft de speler een kans om de trefbeurten van de tegenspelers te verminderen door hetzelfde nummer nogmaals te treffen. Heeft de tegenspeler echter het nummer tevens gesloten dan wordt het aantal trefbeurten van deze speler niet verminderd. De speler die als eerste alle nummers sluit, heeft gewonnen. Kies de opties:

H00: de nummers worden in willekeurige volgorde geopend

H20: nummer 20 wordt het eerst geopend, daarna worden in de volgorde 19, 18, 17, 16, 15 en Bulls eye geopend

H25: Bulls eye wordt het eerst geopend, daarna gaan de nummers open in e volgorde 15, 16, 17, 18, 19 en 20

G14 SCRAM CRICKET

OPTION: Double Bull, Single Bull

Elke speler gooit naar de 15-20 cijfersegmenten plus Bull/Bulls eye. Eén speler is de 'shooter' en kan punten scoren terwijl de andere speler de 'stopper' is. Deze speler moet elk cijfersegment plus Bull/Bulls eye eenmaal raken om het segment te sluiten. De shooter kan niet langer punten op een gesloten cijfersegment scoren. De spelers draaien de rollen om eenmaal alle cijfersegmenten gesloten zijn. Speler 2 wordt nu de shooter. Het doel van elke shooter is om zoveel mogelijk punten te scoren. De speler met de hoogste score na beide ronden is de winnaar.

G15 LOW PITCH CRICKET**OPTION: E00, E20, E25 / DOUBLE BULL/ SINGLE BULL**

Deze Cricket-versie gebruikt de onderste genummerde secties van het bord voor een ander tempo in vergelijking met de standaard Cricket-secties. De spelers moeten de secties 1, 2, 3, 4, 5, 6 en roos "sluiten". Alle andere regels die worden vermeld bij standaard Cricket gelden hier ook. Kies de opties:

E00: de nummers worden in willekeurige volgorde geopend

E20: nummer 20 wordt het eerst geopend, daarna worden in de volgorde 6, 5, 4, 3, 2, 1 en Bulls eye geopend

E25: Bulls eye wordt het eerst geopend, daarna gaan de nummers open in de volgorde 1, 2, 3, 4, 5, 6

G16 ENGLISH CRICKET**OPTION: Double Bull, Single Bull**

Dit spel is voor 2 spelers en bestaat uit twee ronden. Speler 1 moet binnen 9 treffers Bull of Bulls eye raken totdat deze wordt gesloten. (9X) De Bulls eye telt dubbel. Speler 2 moet zoveel mogelijk punten scoren. 40 punten worden na elke gooibeurt (3 pijlen) van de gescoorde punten afgetrokken. Als speler 1 de Bull / Bulls eye heeft geraakt en deze binnen 9 treffers (9X) heeft gesloten, worden de rollen omgedraaid. De winnaar is de speler met de meeste punten aan het einde van de tweede ronde.

G17 DOUBLE ONLY CRICKET**OPTION: L00, L20, L25, Double Bull, Single Bull**

Double Only Cricket wordt op dezelfde manier als Cricket gespeeld, met dit verschil dat een dubbel van elk aangegeven cricketcijfer geraakt moet worden alvorens een speler naar het volgend cijfer kan gaan. Eenmaal de dubbel is geraakt, gaat het cijfer open. Vervolgens tellen deze dubbel, en alle andere dubbels, driedubbels en enkels van dit cijfer. Bijvoorbeeld om de 20's te starten moet elke speler dubbel 20 raken. Na het raken van dubbel 20 zal een enkele 20 het cijfer sluiten, een dubbel het cijfer openen en een score van 20 punten opleveren en een driedubbel het cijfer openen en een score van 40 punten opleveren. Het is dus onmogelijk om een cijfer met één pijl te openen/sluiten.

G18 COLOR**OPTION: 100, 200, 300, 400, 500**

Om dit spel te starten moet elke speler één pijl gooien om te bepalen wie naar welke blok/kleur (#20 kleur of #1 kleur) zal gooien (als de speler de roos treft met zijn/haar pijl, moeten ze opnieuw gooien om het kleur te bepalen). Elke speler probeert dan om zijn/haar kleur te treffen om deze toe te voegen aan zijn/haar totale score (aan het begin van het spel wordt dit bepaald en ingesteld in de spelopties: 100, 200, 300, 400 of 500). De treffer telt niet als de speler een pijl gooit in de kleur van een tegenspeler. Een roos is wel geldig en wordt toegevoegd aan uw totale score. De winnaar is de eerste speler die de vooraf ingestelde eindscore bereikt.

G19 BONUS COLOR**OPTION: 100, 200, 300, 400, 500**

Dit spel wordt op dezelfde manier gespeeld als "Kleur" met de volgende uitzondering. Als een speler zijn/haar pijl gooit in een kleur van een tegenspeler, worden de punten toegevoegd aan de totale score van die tegenspeler. Selecteer het aantal de punten met de opties 100 tot 500 wat voor 100 tot 500 punten staat.

G20 CORRECTIONAL COLOR**OPTION: 100, 200, 300, 400, 500**

Dit spel wordt op dezelfde manier gespeeld als "Kleur" met de volgende uitzondering. Als een speler zijn/haar pijl gooit in een kleur van een tegenspeler, worden deze punten afgetrokken van de totale score van de speler. Selecteer het aantal de punten met de opties 100 tot 500 wat voor 100 tot 500 punten staat.

G21 NO SCORE COLOR**OPTION: 003, 004, 005, 006, 007**

Dit spel wordt op dezelfde manier gespeeld als "Kleur" met de volgende uitzondering. Elke speler probeert om zijn/haar kleur te treffen om één punt te markeren. Als een speler een pijl gooit in het kleur van een tegenspeler wordt er een markering verwijderd van de totale score van de speler en de speler verliest zijn/haar beurt (Een roos is wel geldig en wordt toegevoegd aan uw totale score). De winnaar is de enige speler die nog markeringen heeft (terwijl alle andere spelers op nul staan). De totale score wordt aan het begin van het spel bepaald en ingesteld in de spelopties: 3, 4, 5, 6, of 7 totale markeringen.

G22 FREE-DART COLOR**OPTION: 005, 010, 015, 020**

Dit spel wordt op dezelfde manier gespeeld als "Kleur" met de volgende uitzondering. Elke speler probeert om zijn/haar kleur te treffen om de hoogst mogelijke score te bereiken. Als de speler een pijl gooit in de kleur van een tegenspeler geeft dit geen enkele invloed op de totale score (Een roos is wel geldig en wordt toegevoegd aan uw totale score). De winnaar is de speler met de meeste punten nadat alle pijlen zijn gegooid. Het totaal aantal van te gooien pijlen wordt aan het begin van het spel bepaald en ingesteld in de spelopties: Totaal van 5, 10, 15, of 20 pijlen.

G23 OVERS**OPTION: O03, O04...O20, O21 / DOUBLE BULL/ SINGLE BULL**

Dit is een eenvoudig en snel spel. Elke speler moet proberen om de topscore gemaakt in een vroegere ronde te evenaren of te overschrijden. De speler verliest een "leven" als hij/zij lager scoort dan het vroegere drie-dart totaal. Elke speler heeft in totaal drie levens. De winnaar is de laatste speler in het bezit van een "Leven". Selecteer het aantal levens met de opties 003 tot 021 wat voor 3 tot 21 levens staat.

G24 **UNDERS****OPTION: U03, U04... U20, U21 / DOUBLE BULL/ SINGLE BULL**

Dit spel vertoont gelijkenissen met Overs. Het enige verschil is het doel, nu moet u namelijk de laagste totaalscore van drie pijlen overtreffen. De speler verliest één "leven" als hij/zij hoger scoort dan het vroegere drie-dart totaal. Elke weigering van een beurt of worp buiten het scoregebied wordt beboet met 60 punten (3 x 20, de hoogst mogelijke score met één pijl). De winnaar is de laatste speler in het bezit van een "Leven". Selecteer het aantal levens met de opties U03 tot U21 wat voor 3 tot 21 levens staat.

G25 **HALVE- IT****OPTION: DOUBLE BULL/ SINGLE BULL**

Ledereen start het spel met het schieten van het nummer 12, dan 13, 14, om het even welke dubbel, 15, 16, 17, om het even welke driedubbel, 18, 19, 20 en roos. Elke speler gooit drie pijlen naar het hetzelfde nummer, en gaat dan verder naar het volgende nummer in de volgende ronde. Alle scores worden opgeteld, Dubbele tellen als 2x en Driedubbele als 3x de punten. Als een speler alle drie de worpen mist op een specifiek doel gedurende een ronde, wordt zijn/haar score gehalveerd. De winnaar is de speler met de meeste punten aan het einde van het spel.

Ronde	12	13	14	D	15	16	17	T	18	19	20	B	Totaal
Speler													

D: Dubbele

T: Driedubbele

B: Bull's eye

G26 **BIG-6****OPTION: b03, b04, b05...b19, b20, b21**

Enkel-6 is het eerste doel wanneer het spel start. De speler moet in de drie worpen ten minste eenmaal het doel treffen om zijn/haar levens te sparen. Als het doel wordt getroffen tijdens de eerste of tweede worp, heeft de speler een kans om met één worp het doel van de tegenspeler te kiezen. Enkele, Dubbele en Driedubbele worden als een verschillend doel beschouwd. De strategie is om het moeilijkste doel voor de tegenspelers uit te kiezen, zoals "triple-10" of de roos. De winnaar is de laatste speler in het bezit van een "Leven". Selecteer het aantal levens met de opties b03 tot b21 wat voor 3 tot 21 levens staat.

G27 **FORTY-ONE****OPTION: DOUBLE BULL/ SINGLE BULL**

Elke speler start met het gooien naar het cijfer 20, vervolgens 19, 18, 17, 16, 15, Bulls eye en ten slotte een totaal van 41 punten. Elke speler gooit drie pijlen naar hetzelfde cijfer, en gaat dan verder naar het volgende cijfer in de volgende ronde. Alle scores worden opgeteld, Dubbele tellen als 2x en Driedubbele als 3x de punten. Een extra ronde van 41 punten wordt toegevoegd na het raken van de Bulls eye en een speler dient deze uitdaging te voltooien om het spel te beëindigen (41 is de som van de 3 gegooide pijlen). De speler die aan het einde van het spel de meeste punten geeft, is de winnaar.

	20	19	18	17	16	15	B	'41'	Totaal
Speler 1									
Speler 2									

B: Bull's eye

G28 **BINGO****OPTION: 132, 141, 168, 189**

Het bord geeft het doelsegment automatisch weer. De speler die als eerste drie keer alle aangegeven doelsegmenten raakt wint het spel.

132- Raak het segment in de volgende volgorde 15, 4, 8, 14, 3.

141- Raak het segment in de volgende volgorde 17, 13, 9, 7, 1.

168- Raak het segment in de volgende volgorde 20, 16, 12, 6, 2.

189- Raak het segment in de volgende volgorde 19, 10, 18, 5, 11.

De speler moet hetzelfde cijfersegment eerst drie keer raken alvorens naar het volgend cijfersegment te kunnen gaan. Het enkel segment raken telt als één keer, het dubbel segment als twee keer en het driedubbel segment als drie keer.

G29 **DOUBLE DOWN****OPTION: DOUBLE BULL/ SINGLE BULL**

Het spel start met een basisscore van 40 voor elke speler. De speler scoort door de actieve segmenten van de huidige ronde te raken. Bijvoorbeeld: In de 1ste ronde moet de speler het segment 15 raken. Als de speler geen 15's raakt, wordt zijn score gehalveerd. De volgende ronde is 16 enzoverder. Voor D en T dient de speler een dubbel of driedubbel te raken. Dezelfde regel wordt hierbij toegepast. De speler met de hoogste score is de winnaar.

	15	16	D	17	18	T	19	20	B	Totaal
Speler 1										
Speler 2										

D: Dubbele

T: Driedubbele

B: Bull's eye

G30 **21 POINTS****OPTION: 005, 006, 007, 008, 009, 010, 011**

Het doel van dit spel is om de meeste markeringen te bekomen. Een speler kan op twee verschillende manieren een markering bekomen:

1. Scoor precies 21 punten met 1, 2 of 3 pijlen, of
2. Scoor de meeste punten tot maximum 21 punten (als niemand 21 punten in deze ronde heeft gescoord).

De speler verliest zijn beurt en kan geen markering krijgen als zijn score meer dan 21 punten is. Aan het einde van het spel wint de speler met de meeste markeringen. Selecteer het aantal rondes met de opties 005 tot 011 wat voor 5 tot 11 rondes staat.

G31 **NINE DART CENTURY****OPTION: 100, 150, 200, DOUBLE BULL/ SINGLE BULL**

U kunt de doelscore zelf kiezen, zie onderstaande tabel.

Optie	100	150	200
Doelscore	100 punten	150 punten	200 punten

In dit spel heeft elke speler 9 pijlen (drie beurten) om 100 (of 150, 200) punten te scoren zonder erboven te gaan, of om zo dicht mogelijk bij 100 te eindigen. U verliest als u boven de doelscore gaat. Het dartbord geeft in dit geval "BUST" weer. Pijlen die buiten het scoregebied landen zullen uw score op nul terugzetten. Pijlen die eruit springen worden niet bestraft en tellen niet mee. Het cijfer op het dartbord dat u raakt is uw score. Een dubbel segment telt dubbel en een driedubbel segment driedubbel. De speler die het dichtst bij de doelscore komt zonder erboven te gaan is de winnaar.

G32 FOOTBALL

De spelers moeten eerst hun speelveld selecteren door een pijl naar het dartbord te gooien. Eenmaal het speelveld is geselecteerd, dient de speler te starten bij het dubbel segment tot aan de Bulls eye en vervolgens het tegenoverliggend segment in omgekeerde volgorde. De status van de speler wordt op het display aangegeven.

Bijvoorbeeld, als een speler het segment 11 selecteert, moet hij achtereenvolgend D-11, S-11, T-11, S-11, binnenste Bulls eye, buitenste Bulls eye, S-6, T-6, S-6 en ten slotte D-6 raken. De eerste speler die zijn speelveld voltooid is de winnaar.

G33 SHOOTING I

OPTION: DOUBLE BULL/ SINGLE BULL

In dit spel gooit elke speler drie pijlen. De speler met het hoogste totaal met 3 pijlen wint de ronde. Het spel is gespeeld wanneer één speler een totaal van 7 gewonnen ronden bereikt.

G34 SHOOTING II

OPTION: DOUBLE BULL/ SINGLE BULL

Het spel wordt op dezelfde manier gespeeld als Shooting I. Echter enkel de pijlen die terecht komen in de enkele, dubbele en driedubbele velden van volgende nummers tellen als score: 15, 16, 17, 18, 19, 20, Roos. De winnaar is de eerste speler die 7 ronden wint.

G35 SHOOTING III

OPTION: DOUBLE BULL/ SINGLE BULL

Het spel wordt op dezelfde manier gespeeld als Shooting I. Het spel duurt zeven ronden en de winnaar is de eerste die vier gewonnen ronden wint.

G36 SHOOTING IV

OPTION: DOUBLE BULL/ SINGLE BULL

Het spel wordt op dezelfde manier gespeeld als Shooting I. Echter enkel de pijlen die terecht komen in de enkele, dubbele en driedubbele velden van volgende nummers tellen als score: 15, 16, 17, 18, 19, 20, Roos. Het spel duurt zeven ronden en de winnaar is de eerste die vier gewonnen ronden wint.

TROUBLE SHOOTING

Geen stroom	Zorg ervoor dat de AC-adapter op een juiste manier in het stopcontact is gestoken en de DC-plug op een juiste manier is aangesloten aan de DC-aansluiting op het bord.
Spel geeft geen score aan	Controleer of het spel in de instelmodus is, of het spel gepauzeerd is of zich in het midden van een scorecontrole bevindt. Druk minstens 2 seconden op de MIS/RESET knop om te zien of het spel wordt gestart. Controleer tevens of er geen scoresectie
Sectie of knop stuk	Tijdens de verzending of gedurende het spel is het mogelijk dat de scoresecties tijdelijk stuk zijn. In dit geval worden alle scorefuncties automatisch stopgezet. U kunt de sectie losmaken door de pijl voorzichtig te verwijderen of door de sectie te bewegen met uw vinger. Daarna kunt u het spel hervatten en de scorefuncties werken zoals normaal.
Verwijderen van gebroken punten	De zachte punten kunnen afbreken en in het bord blijven steken. In dit geval, probeer deze voorzichtig uit te trekken met een pincet. Opmerking: hoe zwaarder de pijl, des te groter de kans op een gebogen of gebroken punt.
Stroom of elektromagnetische storing	Als er een elektro-magnetische storing aanwezig is, is het mogelijk dat de elektronica van het dartbord onregelmatig of helemaal niet werkt (Bijvoorbeeld: hevig onweer, een lijnoverbelasting, een korte spanningsval of te dicht bij een elektrische motor of magnetron). Om dit te verhelpen, ontkoppel de netadapter gedurende 2 seconden van de voeding en het dartbord. Zorg er ook voor dat u de bron verwijdert die de storing veroorzaakt.

De garantie is ongeldig als het dartbord werd geopend of uit elkaar werd gehaald.

VEILIGHEIDSINFORMATIE

WAARSCHUWING!

De voedingsbron mag niet kortgesloten worden .
Gebruik uitsluitend de aanbevolen AC-adapter (zie montage-instructies)
De adapter is geen speelgoed! Stel het dartbord niet bloot aan extreme weersomstandigheden of temperaturen. Stel het dartbord niet bloot aan vloeistoffen of overdreven vochtigheid. Maak het dartbord uitsluitend schoon met een vochtige doek en/of een mild reinigingsmiddel. Haal de stekker van het dartbord uit het stopcontact voordat u deze schoonmaakt.

Controleer het snoer, de stekker, de behuizing en andere onderdelen van de AC-adapter regelmatig op schade. In geval van schade, gebruik het dartbord niet totdat de schade is gerepareerd.

WAARSCHUWING!

Darts is een sport voor volwassenen. Darts zijn geen speelgoed. Niet voor gebruik door kinderen tenzij onder toezicht van een volwassene. Lees de gebruiksaanwijzing aandachtig door. Richt de pijlen niet op een mens of dier. Het juiste gebruik van dit spel kan schade of letsel voorkomen.

RECYCLING



Bovenstaand teken betekent dat dit product en zijn adapter niet bij het huishoudelijke afval mogen worden gegooid. Deze moeten afzonderlijk worden behandeld. Als u deze niet meer gebruikt, lever deze in bij een erkend inzamelpunt voor recycling. Op deze manier draagt u bij tot de bescherming van het milieu en uw gezondheid!

CARROMCO GmbH & Co. KG

Mühlenweg 144, 22844 Norderstedt, Germany

Tel.: +49 (0) 1805 25 63 63

service@carromco.com www.carromco.com

Bewaar voor toekomstige raadpleging
VERVAARDIGD IN CHINA



14+



LDPE



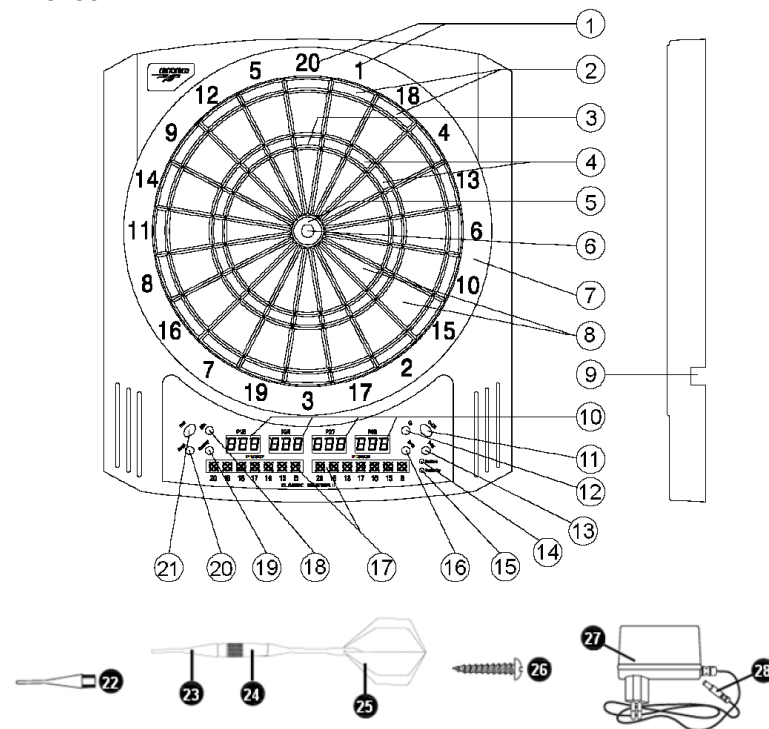
PAP



DEUTSCH

BESCHREIBUNG ELEKTRONISCHES SOFT-TIP-DARTSPIEL

Universum Intro



- | | |
|-----------------------------------|--------------------------------|
| 1. Segment-Punkteanzeige | 15. Double Out |
| 2. Doppelringe (x2) | 16. DOWN Taste (runter) |
| 3. Dreifach-20 (60 Punkte) | 17. Cricket Display |
| 4. Dreifachringe (x3) | 18. MISS Taste (Fehlertreffer) |
| 5. Äußeres Bull's-Eye (25 Punkte) | 19. Handicap Taste |
| 6. Inners Bull' s-Eye (50 Punkte) | 20. SOUND Taste (Sound an/aus) |
| 7. Fangring (0 Punkte) | 21. NEXT Taste (weiter) |
| 8. Einfachringe (x1) | 22. Ersatzspitzen x 20 |
| 9. Adapter Buchse | 23. Soft Tips |
| 10. Punktstandanzeige | 24. Barrel |
| 11. On/Off Taste (an/aus) | 25. Schaft und Flight |
| 12. UP Taste (rauf) | 26. Schrauben x 2 |
| 13. ENTER Taste (Bestätigung) | 27. Adapter 4,5V, 500mA |
| 14. Double In | 28. Stecker |

FÜR DIE MONTAGE BENÖTIGTE WERKZEUGE: Schraubendreher und Bohrer - (nicht mitgeliefert)

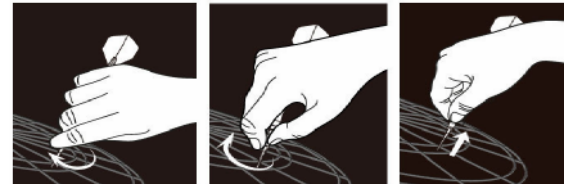
1. Darts vorbereiten: Schrauben Sie Spitze (Tip) und Schaft in den Griff (Barrel). Bei separaten Flights biegen Sie den Flight zurecht und stecken Sie ihn in den Schaft.
2. Hängen Sie das Dartboard an den zwei Haltelöchern auf seiner Rückseite auf. Für die Wandmontage liegen 2 Schrauben bei. Sollten die Schrauben nicht zu Ihrer Wand passen, tauschen Sie sie durch passende aus. Es muss eine 230 V-Steckdose in der Nähe sein. Nach den internationalen Wettkampffregeln wird repredas Dartboard so aufgehängt, dass die Höhe vom Boden bis zum Mittelpunkt der Dartscheibe 1,73 m (68") beträgt und der Abstand der Wurflinie vom Spiel 2,37m (7 feet 9 ¼ inches).
3. Markieren Sie in einer Höhe von 192cm (75 5/8") 2 Punkte mit einem Abstand von 14cm (5 1/2") cm zueinander an der ausgewählten Wand. Schrauben Sie die beiden Schrauben in die Markierungen bis die Köpfe noch ca. 13mm (1/2") von der Wand abstehen.
4. Hängen Sie die Dartscheibe über die Schraubenköpfe. Es kann sein, daß Sie die Schrauben in der Länge noch anpassen müssen, bis das Board perfekt an der Wand anliegt.
5. Verbinden Sie den Adapter mit einer Wandsteckdose und den Stecker mit der Dartscheibe. Der Adapter muss 230V, AC – 4,5V DC, 500mA haben.



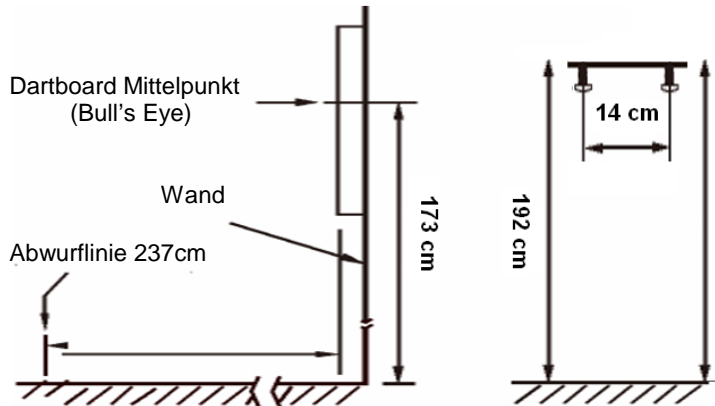
6. Machen Sie sich vor der Benutzung mit den Funktionen Ihrer Dartscheibe vertraut. Falls Sie das Gefühl haben, dass die Dartscheibe nicht ordnungsgemäß funktioniert, lesen Sie bitte zuerst den Abschnitt FEHLERBEHEBUNG in dieser Bedienungsanleitung.

TIPPS UND ANLEITUNGEN

Dieses Spiel ist nur für die Benutzung mit SOFTTIP-DARTS mit Plastikspitzen geeignet. Darts mit Stahlspitzen können die Dartscheibe beschädigen. Nehmen Sie die korrekte Haltung ein und werfen Sie die Darts mit angemessener Kraft. Es ist nicht nötig, die Darts mit großem Kraftaufwand zu werfen, damit sie in der Scheibe stecken bleiben. Das empfohlene Gewicht für Softtip-Darts beträgt nicht mehr als 16 Gramm. Um das Herausfallen von Darts zu reduzieren, sollten Sie dieselbe Art von Softtips verwenden wie jene, die mit dem Spiel geliefert werden. Lange Spitzen werden für dieses Spiel nicht empfohlen. Sie brechen oder verbiegen leichter. Drehen Sie den Dart beim Entfernen aus der Scheibe ein wenig nach rechts, um das Herausziehen des Darts zu erleichtern..



ANLEITUNG ZUM AUFHÄNGEN



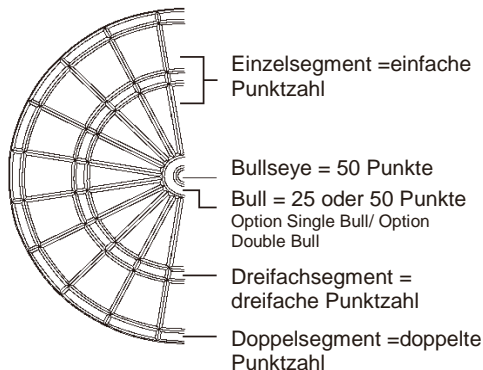
PUNKTEBEWERTUNG

Ein Wurf

Ein Wurf besteht aus 3 Darts.

Abpraller und verfehlt Darts

Jeder abgeprallte oder außerhalb des Spielfelds gelandete Dart zählt nicht. Und darf nicht nochmal geworfen werden.



EINSTELLUNGEN & FUNKTIONEN

START
ON/OFF
(AN/AUS)

Drücken Sie die ON/OFF Taste, um mit dem Einstellen zu beginnen. Sobald das Gerät eingeschaltet ist, werden Anzeigen aufleuchten und eine Startmelodie ertönt. Ist dieser Sound zu Ende, erscheint im Spieler Display die Anzeige „G01“ bzw. „301“.

**SPIELE +
OPTIONEN**
UP/DOWN
(RAUF/RUNTER)
ENTER
(BESTÄTIGUNG)

Drücken Sie die UP und DOWN Tasten um durch die verschiedenen Spiele (siehe Tabelle SPIELEAUSWAHL) zu wandern. Sobald Ihr gewünschtes Spiel angezeigt wird, drücken Sie die ENTER Taste um die Auswahl zu bestätigen.

Drücken Sie die UP und DOWN Tasten um durch die verschiedenen Optionen zu wandern. Sobald Ihre gewünschte Option angezeigt wird, drücken Sie die ENTER Taste um die Auswahl zu bestätigen.

Einige Spiele bieten die Möglichkeit Double In und/oder Double Out auszuwählen. Drücken Sie die UP und DOWN Tasten um durch diese speziellen Funktionen zu wandern. Sobald Ihre spezielle Funktion angezeigt wird, drücken Sie die ENTER Taste um die Auswahl zu bestätigen.

SPIELER
UP/DOWN
(RAUF/RUNTER)
ENTER
(BESTÄTIGUNG)

Drücken Sie die Tasten UP und DOWN, um Ihre Spieleranzahl auszuwählen. Es gibt insgesamt 9 Auswahlmöglichkeiten, von einem bis zu 8 Spielern sowie die Solo (Cyber) Auswahlmöglichkeit. Drücken Sie die ENTER Taste, um die Spieler-Auswahl zu bestätigen.

SOLO (CYBER)
UP/DOWN
(RAUF/RUNTER)
ENTER
(BESTÄTIGUNG)

Handelt es sich bei der von Ihnen bestätigten Spieler Auswahl um Solo (Cyber), dann spielen Sie gegen den Computer. Drücken Sie UP/DOWN um den Schwierigkeitsgrad einzustellen und drücken Sie ENTER um das Spiel zu beginnen. Die 5 Schwierigkeitsgrade sind:
C1: Anfänger-Stufe
C2: Mittlere-Stufe
C3: Fortgeschrittenen-Stufe
C4: Experten-Stufe
C5: Profi-Stufe
Drücken Sie die ENTER Taste, um die Solo (Cyber)-Auswahl zu bestätigen.

HANDICAP
HANDICAP
UP/DOWN
(RAUF/RUNTER)
ENTER
(BESTÄTIGUNG)

Bei einigen Spielen kann ein Handicap ausgewählt werden, nachdem die Anzahl der Spieler festgelegt wurde (bevor Sie die Enter-Taste drücken bestätigen). Drücken Sie auf die Handicap Taste um in die Handicap Auswahl zu gelangen. Dann drücken Sie Up oder Down um die Handicap Option für jeden Spieler festzulegen. Drücken Sie Handicap um zum nächsten Spieler zu gelangen.

**SINGLE/
DOUBLE BULL**
UP/DOWN
(RAUF/RUNTER)
ENTER
(BESTÄTIGUNG)

Sollte das gewählte Spiel die Option Double/ Single Bull anbieten, wählen Sie diese bitte mit den Tasten UP oder Down aus. Drücken Sie dann ENTER um die Auswahl zu bestätigen.

**SPIELER-
WECHSEL**
NEXT
(WEITER)

Wenn der Computer während des Spieles NEXT bekannt gibt, kann das Dartspiel nicht durch den Druck auf Segmente aktiviert werden. Der Spieler ist verpflichtet, alle Pfeile zu entfernen und dann auf die Taste NEXT zu drücken damit der nächste Spieler weiterspielen kann. Sollte die Dartscheibe länger als 10 Sekunden nach der NEXT Ansage nicht bespielt worden sein, wechselt das Gerät automatisch zum nächsten Spieler.

**ERGEBNIS-
ANZEIGE**
NEXT
(WEITER)

Das Spiel endet, sobald der Gewinner ermittelt wurde oder alle Spieler Ihren letzten Wurf getätigt haben (siehe Spielebeschreibung für Details). Verwenden Sie die Taste NEXT, um die Platzierung eines jeden Spielers und das Endergebnis anzusehen.

FEHLWURF
MISS
(ENTFERNEN)

Drücken Sie die MISS Taste falls Ihr Pfeil den Catchring getroffen hat oder das Dartboard ganz verfehlt, um damit 0 Punkte zu verzeichnen und den Wurf zu registrieren.

NEUSTART
MISS
(ZURÜCKSETZEN)

Wenn Sie das Spiel neu starten möchten, halten Sie die MISS Taste für 2 Sekunden gedrückt.

PUNKTE
ENTER
(BESTÄTIGUNG)

Im Verlauf des Spieles können Sie die ENTER Taste drücken um sich die Punkte der anderen Spieler anzeigen zu lassen.

BEENDEN
ON/OFF
(AN/AUS)

Drücken Sie die ON/OFF Taste um das Spiel auszuschalten. Aus Energiespargründen wurde das Gerät mit einer automatischen Abschaltung ausgestattet. Wenn das Spiel 30 Minuten nicht bedient wurde, schaltet es automatisch ab.

SOUND
SOUND

Dieses Dartboard wurde mit einem Sound an/aus Schalter ausgestattet. Sie können den Sound während des Spieles jederzeit ausstellen.

SPIELEAUSWAHL

SPIEL	BESCHREIBUNG	ANZEIGE	OPTIONEN/ VARIANTEN	ANZAHL SPIELER
G01	301	3O1	7/56	1-8
G02	301 League	CO1	7/224	1-8
G03	CountUp	CUP	9/18	1-8
G04	Round the Clock	rCL	12	1-8
G05	Shanghai	Shi	4	1-8
G06	High Score	HiS	12/24	1-8
G07	Killer	LLr	30	2-8
G08	Shoot-out	S-0	19	1-8
G09	9 lives	9Li	7	2-8
G10	Cricket	Cri	3/6	1-8
G11	No Score Cricket	NSc	3/6	1-8
G12	Cut Throat Cricket	CUc	3/6	1-8
G13	Killer Cricket	LLc	3/6	2-8
G14	Scram Cricket	SCc	1/2	2
G15	Low Pitch Cricket	LPc	3/6	1-8
G16	English Cricket	Enc	1/2	2
G17	Double Only Cricket	dbc	3/6	1-8
G18	Color	CL2	5	1-8
G19	Bonus Color	bC2	5	1-8
G20	Correctional Color	CC2	5	1-8
G21	No score Color	NC2	5	2-8
G22	Free-Dart Color	FdC	4	1-8

SPIEL	BESCHREIBUNG	ANZEIGE	OPTIONEN/ VARIANTEN	ANZAHL SPIELER
G23	Overs	orS	19/38	2-8
G24	Unders	Und	19/38	2-8
G25	Halve-it	HAL	1/2	1-8
G26	Big-6	biG	19	2-8
G27	Forty-One	For	1/2	1-8
G28	Bingo	bin	4	1-8
G29	Double Down	ddn	1/2	1-8
G30	21 points	21P	7	1-8
G31	Nine Dart Century	Ndc	3/6	1-8
G32	Football	Ftb	1	1-8
G33	Shooting I	S-1	1/2	1-8
G34	Shooting II	S-2	1/2	1-8
G35	Shooting III	S-3	1/2	1-8
G36	Shooting IV	S-4	1/2	1-8

HANDICAP OPTIONEN

SPIEL	BESCHREIBUNG	HANDICAP OPTIONEN
G01	301	-20, -40, -60, -80 Punkte
G02	301 League	-20, -40, -60, -80 Punkte
G03	Count Up	+20, +40, +60, +80 Punkte
G05	Shanghai	+20, +40, +60, +80 Punkte
G06	High Score	+20, +40, +60, +80 Punkte
G07	Killer	-1, -2, -3, -4 Leben
G08	Shoot out	+1, +2, +3, +4 Punkte
G09	9 Lives	-1, -2, -3, -4 Leben
G18	Color	+20, +40, +60, +80 Punkte
G19	Bonus Color	+20, +40, +60, +80 Punkte
G20	Correctional Color	+20, +40, +60, +80 Punkte
G21	No score Color	-1, -2, -3, -4 Leben
G22	Free-Dart Color	+20, +40, +60, +80 Punkte
G23	Overs	-1, -2, -3, -4 Leben
G24	Unders	-1, -2, -3, -4 Leben
G25	Halve-it	+20, +40, +60, +80 Punkte
G26	Big-6	-1, -2, -3, -4 Leben
G27	Forty-One	+20, +40, +60, +80 Punkte
G29	Double Down	+20, +40, +60, +80 Punkte
G30	21 points	1, +2, +3, +4 Punkte

SPIELEN

- P-1, P-2 .P-8 zeigen an, welcher Spieler an der Reihe ist.
- Jeder Spieler darf 3 Pfeile werfen, wenn er am Zug ist.
- Das Dartboard zeigt automatisch die Gesamtpunktzahl an und weist Zielfelder aus.
- Warten Sie immer, bis die Scheibe das akustische Signal beendet hat, bevor Sie Pfeile werfen.

SPIELREGELN

G01 301-999

OPTION: 301, 501, 601, 701, 801, 901, 999 / DOUBLE BULL/ SINGLE BULL

Dies ist das populärste Dartspiel in den meisten Ligen und Meisterschaften. Jeder Spieler beginnt das Spiel mit 301 Punkten (oder 501, 601 usw.). Am Ende der Spielrunde eines jeden Spielers wird die Summe der drei geworfenen Pfeile vom Punktestand des Spielers abgezogen. Gewonnen hat, wer als Erster genau Null erreicht. Das Spiel kann solange fortgesetzt werden, bis der 2., 3. und 4. Platz ermittelt sind. Wenn Sie das Spiel herausfordernder gestalten möchten, können Sie die DOUBLE IN/ DOUBLE OUT Funktionen wählen, um zusätzliche Einschränkungen bzgl. des Beginns und des Spielendes einzustellen. Die Wahlmöglichkeiten sind wie folgt:

SiO (Standard): Das Spiel beginnt und endet mit einem beliebigen Punktetreffer. Der Spieler kann das Spiel mit jedem Treffer beenden, der seinen Punktestand auf genau Null reduziert. Wenn die Trefferpunkte des Spielers die Punktzahl übertreffen, die benötigt wird, um genau Null zu erreichen, gibt es eine „Bust“ - Runde und der Punktestand kehrt auf den Stand vor dieser Runde zurück.

diO - Double In: Die Punktezahl beginnt, wenn eine Zahl im Doppel-Ring oder das Double Bull's Eye getroffen wird. Bevor diese Bedingung nicht erfüllt wurde, beginnt die Punktezahl nicht.

SdO - Double Out: Der Spieler kann das Spiel mit einem Treffer auf eine Zahl im Doppel-Ring oder im Double Bull's Eye, die den Punktestand auf genau Null reduziert, beenden. Wenn ein Spieler die Punktezahl übertrifft, die benötigt wird, um genau Null oder „1“ zu erreichen, gibt es eine „Bust“ -Runde und der Punktestand kehrt auf den Stand vor dieser Runde zurück. (Wenn „1“ Punkt übrigbleibt, gibt es auch eine „Bust“ -Runde, da es keine Möglichkeit gibt, den Punktestand mit einem Doppeltreffer auf Null zu bringen.)

diS – Double In + Double Out: Die Punktezahl beginnt, wenn eine Zahl im Doppel-Ring oder das Double Bull's Eye getroffen wird. Das Spiel endet mit einem Treffer auf eine Zahl im Doppel-Ring oder im Double Bull's Eye, die den Punktestand auf genau Null reduziert.

G02 301-999 LEAGUE

OPTION: 301, 501, 601, 701, 801, 901, 999 / DOUBLE BULL/ SINGLE BULL

Dies ist die Teamspielversion des 301-999 Spiels und sehr beliebt in den Dart-Ligen. Es gibt immer zwei Teams und bis zu 4 Spieler pro Team. Zum Beispiel: Spieler 1 und Spieler 3 spielen gegen Spieler 2 und Spieler 4. Das Spiel wird genauso wie das 301-999 Einzelspiel gespielt.

Optionen: 2C, 3C, 4C, Cyb

2C: 2 Spieler pro Team

3C: 3 Spieler pro Team

4C: 4 Spieler pro Team

Cyb: 1 Spieler pro Team

G03 COUNT UP

OPTION: 100, 200, 300, 900 / DOUBLE BULL/ SINGLE BULL

Dies ist ein einfaches Spiel, das jeder spielen kann. Ziel ist es, die anderen Spieler zu besiegen, indem man als Erster eine vorher eingestellte Punktzahl erreicht. Die zur Verfügung stehenden Einstellungen sind: 100, 200, 300, 400, 500, 600, 700, 800 und 900. Jeder Spieler sollte versuchen in seiner Runde, so hoch wie möglich zu punkten. Der endgültige Gesamtpunktestand darf höher als die voreingestellte Punktzahl sein.

G04 ROUND THE CLOCK

OPTION: 105, 110, 115, 120, 205, 210, 215, 220, 305, 310, 315, 320

1 bis 10, 1 bis 15 oder 1 bis 20 in Reihenfolge zu treffen. Wenn eine Zahl getroffen ist, wird das Spiel fortgesetzt mit dem Zielen auf die nächste Zahl.

Gewonnen hat, wer die Endzahl seines Spiels als Erster trifft. Optionen:

105,110,115,120: die letzte Zahl ist die 5 (bzw. 10, 15, 20) unabhängig davon ob ein Single oder Double oder Triple Feld getroffen wurde.

205,210,215,220: die letzte Zahl ist die 5 (bzw. 10, 15, 20) es werden nur Double Felder gezählt.

305,310,315,320: die letzte Zahl ist die 5 (bzw. 10, 15, 20) es werden nur Triple Felder gezählt.

G05 SHANGHAI

OPTION: L01, L05, L10, L15

Dieses Spiel ähnelt Round-The-Clock. Die Spieler beginnen auf die Nummer 1 (bzw. 5 oder 10 oder 15) zu werfen und zielen dann auf die nachfolgenden Zahlen in Richtung der 20 und dann auf das Bull's Eye. Die Würfe außerhalb der Nummernfolge werden nicht gewertet. Ein Treffer im Doppel- oder Dreifachring wird als 2- oder 3-faches der Segmentzahl gewertet. Die Punkte werden addiert. Der Spieler mit den meisten Punkten hat gewonnen. Optionen:

Option L01: das Spiel beginnt mit dem Segmentfeld 1

Option L05: das Spiel beginnt mit dem Segmentfeld 5

Option L10: das Spiel beginnt mit dem Segmentfeld 10

Option L15: das Spiel beginnt mit dem Segmentfeld 15

G06 HIGH SCORE

OPTION: H03, H04,.... H13, H14 / DOUBLE BULL/ SINGLE BULL

Dieses Spiel ähnelt Count-Up, nur dass das Spiel am Ende der ausgewählten letzten Runde endet. Gewonnen hat, wer den höchsten kumulierten Gesamtpunktestand hat. Bitte wählen Sie die Anzahl der Runden mit den Optionen H03 bis H14 aus, welche 3 bis 14 Runden symbolisieren.

G07 KILLER

Ziel des Spiels ist es, die gegnerischen Leben zu „killen“ und die eigenen am Leben zu halten. Gewonnen hat, wer am Schluss übrig bleibt. In diesem Spiel

werden Bull und Bull's Eye nicht berücksichtigt. Diese Felder sind ausgeschaltet. Zu Beginn muss jede Spieler seine Nummer bestimmen indem er auf sein Zielfeld wirft. Das Display wird dann "SEL" anzeigen. Wenn ein Spieler das Board verfehlt, Bull, Bull's Eye oder ein bereits von einem anderen Spieler besetztes Zahlensegment trifft, muss er noch einmal werfen. Sobald jeder Spieler seine Nummer bestimmt hat, beginnt das Spiel. Jeder Spieler versucht sein eigenes Feld zu treffen, um sich die Qualifikation des Killers zu erwerben. Als KILLER versucht man auf die Zielsegmente der Gegner zu werfen und ihnen mit jedem Treffer ein Leben zu nehmen, bis Sie all Ihre Leben verloren haben. Wirft der KILLER versehentlich auf sein eigenes Zielsegment, verliert er die Legitimation zum KILLER und auch ein Leben. Er gewinnt seine Killer Qualifikation zurück indem er nochmals sein Zielsegment trifft. Der Letzte Überlebende gewinnt das Spiel. Um das Spiel schwieriger zu gestalten, kann man die Option wählen, daß Doppelsegmente oder Dreifachsegmente als Zielsegmente gewählt werden müssen. Bitte wählen Sie die Anzahl der Leben und die Segment Vorgabe (alle Segmentfelder, Doppelfelder oder Dreifachfelder) mit den Optionen 003 bis 321 welche 3 bis 21 Leben symbolisieren und die Segmentfeld Schwierigkeit.

Option	Leben	Zielvorgabe Segmentfelder
003	3	Einfach, Doppel, Dreifach
005	5	Einfach, Doppel, Dreifach
.....	...	Einfach, Doppel, Dreifach
021	21	Einfach, Doppel, Dreifach
203	3	Doppel
205	5	Doppel
...	Doppel
221	21	Doppel
303	3	Dreifach
305	5	Dreifach
....	Dreifach
321	21	Dreifach

G08 SHOOT-OUT

OPTION: -03, -04, -05 -19, -20, -21

Auf dem Display wird eine Zielpunktzahl angezeigt, welche zufällig vom Computer ausgewählt wird. Ein Treffer auf das Ziel zählt immer einen Punkt. Der Spieler welcher als erstes 3, 4... 21 Punkte (je nach gewähltem Schwierigkeitsgrad) getroffen hat, gewinnt. Wenn ein Spieler das Dartboard nicht innerhalb von 10 Sekunden getroffen hat, dann wird automatisch eine neue Zielnummer für den Spieler angezeigt und der Wurf wird als Fehlwurf gewertet. In diesem Spiel werden die Doppel- und Dreifachfelder als Einzelpunktzahl gewertet.

G09 LIVES

OPTION: 003, 004, 005, 006, 007, 008, 009

Dieses Spiel spielt die Nummern 1 bis 20 und Bull's Eye in einer wiederkehrenden Sequenz. Die Spieler werfen abwechselnd auf die 1 in der ersten Runde, die 2 in der zweiten Runde, und so weiter. Jeder Spieler muss die Zielnummer mit mindestens einem Dart pro Runde treffen. Falls er mit keinem der drei Pfeile trifft,

verliert er ein Leben.

Gewonnen hat, wer als Letzter noch ein „Leben“ übrig hat. Bitte wählen Sie die Anzahl der Leben mit den Optionen 003 bis 009 welche 3 bis 9 Leben symbolisieren.

G10 SIMPLE CRICKET

OPTION: C00, C20, C25 / DOUBLE BULL/ SINGLE BULL

Cricket ist ein sehr beliebtes Spiel. Gespielt wird nur mit den Zahlensegmenten von 15 bis 20 und B (Bull/Bullseye). Jeder Teilnehmer wirft 3 Darts. Ein Zahlensegment muss vom Spieler dreimal getroffen werden, dann ist es für ihn geöffnet. Jetzt kann er auf dem geöffneten Zahlensegment punkten. Hat der oder haben die Gegner ebenfalls dreimal dieses Zahlensegment getroffen, wird es geschlossen. Auf einem geschlossenen Zahlensegment kann nicht mehr gepunktet werden. Doppel- oder Dreifachsegmente zählen als 2 bzw. 3 Treffer. Die Segmente können entsprechend der selektierten Option geöffnet und geschlossen werden. Der Spieler, der die meisten Segmente schließt und die höchste Punktzahl erzielt, gewinnt. Die Strategie ist also, zu entscheiden, ob es sinnvoller ist ein Segment zu schließen oder zuerst Punkte anzusammeln. Denn, hat ein Spieler die meisten Segmente geschlossen, bleibt aber in den Punkten zurück, kann das Spiel nicht gewinnen. Das Spielende ist erreicht, wenn alle Zahlensegmente geschlossen sind. Gewonnen hat, wer die meisten Punkte erreicht hat. Optionen:

C00: Die Zahlensegmente können in beliebiger Reihenfolge geöffnet werden.

C20: Reihenfolge zum Öffnen der Segmente: 20, 19, 18, 17, 16, 15 & Bulls Eye

C25: Reihenfolge zum Öffnen der Segmente: Bulls Eye, 15, 16, 17, 18, 19 & 20

Cricket	ein Treffer	zwei Treffer	offen	geschlossen
Anzeige				

G11 NO SCORE CRICKET

OPTION: 000, 020, 025 / DOUBLE BULL/ SINGLE BULL

Dies ist eine vereinfachte Spielvariante von Cricket. Ziel des Spiels ist es, alle Zahlen so schnell wie möglich zu schließen. Für einen Treffer auf eine geschlossene Zahl werden zu keiner Zeit Punkte vergeben. Sie sollten daher versuchen, sobald eine Zahl dreimal getroffen wurde, andere Ziele zu treffen. Gewonnen hat, wer als Erster alle drei Treffer auf alle Zahlen erzielt.

Optionen:

000: Die Zahlensegmente können in beliebiger Reihenfolge geöffnet werden.

020: Reihenfolge zum Öffnen der Segmente: 20, 19, 18, 17, 16, 15 & Bulls Eye

025: Reihenfolge zum Öffnen der Segmente: Bulls Eye, 15, 16, 17, 18, 19 & 20

G12 CUT THROAT CRICKET

OPTION: 00C, 20C, 25C / DOUBLE BULL/ SINGLE BULL

Dies ist eine umgekehrte Version von Cricket. Wenn eine Zahl geöffnet wurde, gehen die Punkte für jeden weiteren Treffer dieser Zahl an den Gegner. Die

höchste kumulierte Punktzahl verliert. Allerdings gehen keine Punkte an einen Spieler, der die Zahl bereits geschlossen hat. Wer die niedrigste Punktzahl und alle Zahlen als Erster geschlossen hat, ist der Gewinner. Wenn ein Spieler alle Zahlen zuerst geschlossen hat, aber auch eine höhere Punktzahl hat, muss er weiter werfen, um die Punktzahl der Gegner über oder auf seine Punktzahl zu bringen. Strategisch ist es daher am besten, die Zahlen so schnell wie möglich zu schließen, um zu verhindern, dass Sie von den anderen Spielern Punkte bekommen, während Sie gleichzeitig die Chance erhalten, die anderen zu bestrafen. Optionen:

00C: Die Zahlensegmente können in beliebiger Reihenfolge geöffnet werden.

20C: Reihenfolge zum Öffnen der Segmente: 20, 19, 18, 17, 16, 15 & Bulls Eye

25C: Reihenfolge zum Öffnen der Segmente: Bulls Eye, 15, 16, 17, 18, 19 & 20

G13 KILLER CRICKET

OPTION: H00, H20, H25 / DOUBLE BULL/ SINGLE BULL

Dieses Spiel ist so ähnlich wie No Score Cricket mit einer Besonderheit. Wenn eine Zahl geöffnet, kann der Spieler die Treffer der Gegner entfernen, indem er/sie die gleiche Zahl wieder trifft. Wenn der Gegner die Zahl allerdings auch geschlossen hat, werden diesem Spieler keine Treffer weggenommen. Gewonnen hat, wer alle Zahlen als Erster schließt. Optionen:

H00: Die Zahlensegmente können in beliebiger Reihenfolge geöffnet werden.

H20: Reihenfolge zum Öffnen der Segmente: 20, 19, 18, 17, 16, 15 & Bulls Eye

H25: Reihenfolge zum Öffnen der Segmente: Bulls Eye, 15, 16, 17, 18, 19 & 20

G14 SCRAM CRICKET

OPTION: Double Bull, Single Bull

Jeder Spieler wirft auf die 15 - 20 Zahlensegmente plus Bull/Bull's Eye.

Ein Spieler ist Schütze und kann Punkte erzielen, die andere Spieler ist Stopper und muss jedes Zahlensegment plus Bull/Bull's Eye einmal treffen, um es zu schließen. Auf einem geschlossenen Zahlensegment kann der Schütze nicht mehr punkten. Der Schütze wechselt, wenn alle Zahlensegmente geschlossen sind. Nun ist Spieler 2 Schütze. Ziel des jeweiligen Schützen ist es, soviel Punkte wie möglich zu erzielen. Der Spieler mit den meisten Punkten gewinnt das Spiel nach der zweiten Runde.

G15 LOW PITCH CRICKET

OPTION: E00, E20, E25 / DOUBLE BULL/ SINGLE BULL

Bei dieser Version von Cricket werden im Gegensatz zu den Standard-Cricket-Segmenten die Segmente auf der Scheibe mit den niedrigeren Zahlen benutzt. Die Spieler müssen die Segmente 1, 2, 3, 4, 5, 6 und Bull's Eye „schließen“. Alle anderen Regeln entsprechen denen des normalen Cricket.

Optionen:

H00: Die Zahlensegmente können in beliebiger Reihenfolge geöffnet werden.

H20: Reihenfolge zum Öffnen der Segmente: 6, 5, 4, 3, 2, 1 & Bulls Eye

H25: Reihenfolge zum Öffnen der Segmente: Bulls Eye, 1, 2, 3, 4, 5, 6

G16 ENGLISH CRICKET

OPTION: Double Bull, Single Bull

Dieses Spiel ist nur für 2 Spieler und besteht aus 2 Runden. Die Spieler verfolgen dabei unterschiedliche Ziele. Spieler 1 muss 9 Trefferpunkte mit dem Bull bzw. Bull's Eye erzielen. Das Bull's Eye zählt doppelt. Bei 9 Trefferpunkten endet die Runde. Spieler 2 muss so viele Punkte wie möglich erzielen. Von den erreichten Punkten werden nach jedem Wurf (3 Darts) 40 Punkte abgezogen. Hat Spieler 1 das Bull bzw. Bull's Eye 9 x getroffen, wechseln die Rollen. Nach Ende der zweiten Runde, gewinnt der Spieler mit den meisten Punkten.

G17 DOUBLE ONLY CRICKET

OPTION: L00, L20, L25, Double Bull, Single Bull

Double Only Cricket wird wie Cricket gespielt, außer dass zuerst ein Doppelsegment der jeweiligen Cricket Zahl getroffen werden muss, bevor ein Spieler weiterwerfen kann. Sobald das Doppelsegment getroffen wurde, kann diese Zahl geöffnet werden. Gewertet wird das getroffene Doppelsegment sowie alle folgenden Einzel- Doppel- und Dreifachsegmentfelder dieser Nummer. Beispiel: Die 20 muss von jedem Spieler zuerst im 20er Doppelfeld getroffen werden. Nach diesem Treffer würde ein 20er Einfachsegment die Nummer öffnen. Ein 20er Doppelsegment öffnet das Cricketsegment und zählt 20 Punkte, ein 20er Dreifachsegment öffnet das Cricketsegment und zählt 40 Punkte. Es ist unmöglich Cricketsegmente mit nur einem Dartpfeil zu öffnen/schließen.

G18 COLOR

OPTION: 100, 200, 300, 400, 500

Jeder Spieler muss einen Pfeil zu Beginn dieses Spieles werfen, um festzulegen, wer auf welchen Block/Farbe (#20 color oder #1 color) zielen wird. (Wenn ein Spieler mit diesem Pfeil das Bull's Eye trifft, muss er/sie noch einmal werfen, um die Farbe zu entscheiden). Alle Spieler versuchen dann ihr Farbziel zu treffen, um die Gesamtpunktzahl zu erreichen (die festgelegt und in den Spiel-Optionen zu Beginn des Spiels eingestellt werden muss: 100, 200, 300, 400 oder 500). Wenn ein Spieler einen Pfeil in die Farbe eines Gegners wirft, wird dieser Treffer nicht gewertet. Das Bull's Eye wird für Ihre Gesamtpunktzahl gewertet. Wer als Erster die festgelegte Endpunktzahl erreicht, hat gewonnen.

G19 BONUS COLOR

OPTION: 100, 200, 300, 400, 500

Dieses Spiel wird genauso wie „Color“ gespielt, abgesehen von folgender Ausnahme. Wenn ein Spieler seinen Pfeil in die Farbe des Gegners wirft, werden dem Gegner die Punkte auf seinen Gesamtpunktestand angerechnet. Bitte wählen Sie die Anzahl der Punkte mit den Optionen 100 bis 500 aus, welche 100 bis 500 Punkte symbolisieren.

G20 CORRECTIONAL COLOR

OPTION: 100, 200, 300, 400, 500

Dieses Spiel wird genauso wie „Color“ gespielt, abgesehen von folgender Ausnahme. Wenn ein Spieler seinen Pfeil in die Farbe des Gegners wirft, werden ihm die Punkte vom Gesamtpunktestand abgezogen. Bitte wählen Sie die Anzahl

der Punkte mit den Optionen 100 bis 500 aus, welche 100 bis 500 Punkte symbolisieren.

G21 NO SCORE COLOR

OPTION: 003, 004, 005, 006, 007

Dieses Spiel wird genauso wie „Color“ gespielt, abgesehen von folgender Ausnahme. Alle Spieler versuchen ihr Farbziel zu treffen, um einen Punkt zu erzielen. Wenn ein Spieler einen Pfeil in die Farbe des Gegners wirft, wird ein Punkt vom Gesamtpunktstand abgezogen und der Spieler verliert seine Runde. (Das Bull's Eye wird zu Ihrer Gesamtpunktzahl hinzugezählt.) Wer noch Punkte hat, gewinnt das Spiel (wenn alle anderen keine Punkte mehr haben). Die Gesamtpunktzahl muss festgelegt und zu Beginn des Spiels unter Spiel-Optionen eingestellt werden: 3, 4, 5, 6, oder 7 Gesamtpunkte.

G22 FREE-DART COLOR

OPTION: 005, 010, 015, 020

Dieses Spiel wird genauso wie „Color“ gespielt, abgesehen von folgender Ausnahme. Alle Spieler versuchen ihr Farbziel zu treffen, um die höchstmögliche Punktzahl zu erzielen. Wenn ein Spieler einen Pfeil in die Farbe des Gegners wirft, wird dies nicht auf den Gesamtpunktstand angerechnet. (Das Bull's Eye wird Ihrem Gesamtpunktstand angerechnet.) Wer die höchste Gesamtpunktezahl erreicht hat, nachdem alle Pfeile geworfen wurden, hat gewonnen. Die Gesamtanzahl der zu werfenden Pfeile muss zu Beginn des Spiels festgelegt und in den Spiel-Optionen eingestellt werden: 5, 10, 15, oder 20 Pfeile insgesamt.

G23 OVERS

OPTION: O03, O04...O20, O21 / DOUBLE BULL/ SINGLE BULL

Dies ist ein einfaches und schnelles Spiel. Jeder Spieler sollte versuchen genauso viele oder mehr Punkte als die in der Runde zuvor erreichte höchste Punktzahl zu erzielen. Wenn ein Spieler weniger als die Gesamtpunktzahl aus den vorangegangenen drei Dartwürfen erzielt, wird dem Spieler ein „Leben“ abgezogen. Gewonnen hat, wer als Letzter noch ein „Leben“ übrig hat. Bitte wählen Sie die Anzahl der Leben mit den Optionen O03 bis O21 welche 3 bis 21 Leben symbolisieren.

G24 UNDERS

OPTION: U03, U04... U20, U21 / DOUBLE BULL/ SINGLE BULL

Dieses Spiel ist so ähnlich wie Overs, nur dass es darauf abzielt, den niedrigsten Rekord aus der Gesamtpunktzahl von drei Dartwürfen zu unterbieten. Wenn die Gesamtpunktzahl aus drei Dartwürfen höher als der Rekord ist, wird dem Spieler ein „Leben“ abgezogen. Wählen Sie die Anzahl der Leben 3 bis 21. Jeder nicht getroffene Pfeil oder jeder Treffer außerhalb des Punktebereichs wird mit 60 Punkten bestraft (3 x 20, das höchstmögliche Ergebnis mit einem Dartwurf). Gewonnen hat, wer als Letzter noch ein „Leben“ übrig hat. Bitte wählen Sie die Anzahl der Leben mit den Optionen U03 bis U21 welche 3 bis 21 Leben symbolisieren.

G25 HALVE-IT

OPTION: DOUBLE BULL/ SINGLE BULL

Alle Spieler beginnen das Spiel, indem sie auf die Zahl 12 werfen, dann die 13, 14, irgendeine Zahl im Doppelring, 15, 16, 17, irgendeine Zahl im Dreifachring, 18, 19, 20 und dann Bull's Eye. Jeder Spieler wirft drei Pfeile auf die gleiche Zahl und geht dann zur nächsten Zahl in der nächsten Runde. Alle Punktzahlen werden aufgerechnet, Doppelring zählt zweimal und Dreifachring dreimal die Punktzahl. Wenn ein Spieler bei allen drei Würfeln in einer Runde ein bestimmtes Ziel nicht trifft, wird sein Punktstand halbiert. Am Ende des Spiels hat der Spieler mit der höchsten Punktzahl gewonnen.

Runde	12	13	14	D	15	16	17	T	18	19	20	B	Total
Spieler													

D: Doppelring

T: Dreifachring

B: Bull's eye

G26 BIG-6

OPTION: b03, b04, b05...b19, b20, b21

Einfach-6 ist das erste Ziel, wenn das Spiel beginnt. Mit seinen 3 Würfeln muss der Spieler einmal das Ziel treffen, um seine Leben zu retten. Solange das Ziel mit dem ersten oder zweiten Wurf getroffen wird, hat der Spieler die Chance mit einem Wurf das nächste Zielfeld für seinen Gegner auszuwählen. Einfach-, Doppel- und Dreifachfelder gelten alle als unterschiedliche Ziele. Es ist strategisch am klügsten, das für die Gegner härteste Ziel wie „Dreifach-20“ oder „Doppel Bull's Eye“ zu wählen. Gewonnen hat, wer als Letzter noch ein „Leben“ übrig hat. Bitte wählen Sie die Anzahl der Leben mit den Optionen b03 bis b21 welche 3 bis 21 Leben symbolisieren.

G27 FORTY-ONE

OPTION: DOUBLE BULL/ SINGLE BULL

Alle Spieler beginnen das Spiel, indem sie auf die Zahl 20 werfen, dann die 19, irgendeine Zahl im Doppelring, 18, 17, irgendeine Zahl im Dreifachring, 16, 15, eine Gesamtpunktzahl von 41 und dann Bull's Eye. Jeder Spieler wirft drei Pfeile auf die gleiche Zahl und geht dann zur nächsten Zahl in der nächsten Runde. Alle Punktzahlen werden aufgerechnet, Doppelring zählt zweimal und Dreifachring dreimal die Punktzahl. Wenn der Spieler in der vorletzten Runde keine 41 Punkte erreicht, kann er nicht fortfahren. Am Ende des Spiels hat der Spieler mit der höchsten Punktzahl gewonnen.

	20	19	18	17	16	15	B	'41'	Total
Spieler 1									
Spieler 2									

B: Bull's eye

G28 BINGO

OPTION: 132, 141, 168, 189

Das Dartboard zeigt Ihnen das Zielfeld automatisch an. Der Spieler, dem es als ersten gelingt, das Spiel zu beenden indem er alle vorgegebenen Zielfelder dreimal getroffen hat, ist der Gewinner. Optionen:
132- die Felder in dieser Reihenfolge treffen: 15, 4, 8, 14, 3.

141- die Felder in dieser Reihenfolge treffen: 17, 13, 9, 7, 1.

168- die Felder in dieser Reihenfolge treffen: 20, 16, 12, 6, 2.

189- die Felder in dieser Reihenfolge treffen: 19, 10, 18, 5, 11.

Der Spieler muss die jeweilige Nummer dreimal getroffen haben, bevor er mit der nächsten Nummer beginnt. Einfachsegmentfelder zählen 1x, Doppelsegmentfelder zählen 2x, Dreifachsegmentfelder zählen 3x.

G29 DOUBLE DOWN

OPTION: DOUBLE BULL/ SINGLE BULL

Das Spiel beginnt mit einer Basis von 40 Punkte für jeden Spieler. Der Spieler muss in jeder Runde die vorgegebenen Felder treffen. In der ersten Runde muss zum Beispiel die 15 getroffen werden. Falls keine Treffer erzielt werden, halbiert sich die Punktezahl des Spielers. In der nächsten Runde ist die 16 an der Reihe und so weiter. D und T steht für irgendein Doppelfeld bzw. irgendein Dreifachfeld. Auch hier gilt die gleiche Regel. Der Spieler mit der höchsten Punktzahl gewinnt.

	15	16	D	17	18	T	19	20	B	Total
Spieler 1										
Spieler 1										

D: Doppel T: Dreifach B: Bull's eye

G30 21 POINTS

OPTION: 005, 006, 007, 008, 009, 010, 011

Ziel dieses Spieles ist es möglichst viele Markierungen zu erhalten. Eine Markierung kann man auf zwei verschiedene Arten bekommen:

1. Mit 1, 2 oder 3 Würfeln genau 21 Punkte erzielen.
2. Möglichst nah an die 21 Punkte heranwerfen (falls in der Runde keiner genau 21 Punkte geworfen hat).

Der Spieler scheidet aus (bust) sobald er mehr als 21 Punkte wirft und kann keine Markierung mehr erhalten. Sobald das Spiel beendet ist, hat der Spieler mit den meisten Markierungen gewonnen.

Bitte wählen Sie die Anzahl der Runden mit den Optionen 005 bis 011 aus, welche 5 bis 11 Runden symbolisieren.

G31 NINE DART CENTURY

OPTION: 100, 150, 200, DOUBLE BULL/ SINGLE BULL

Die Optionen sind die Zielpunkte, siehe Tabelle unten.

Optionen	100	150	200
Zielpunkte	100 Punkte	150 Punkte	200 Punkte

In diesem Spiel hat jeder Spieler 9 Würfe (3 x 3 Würfe) um direkt oder möglichst nah an 100 Punkte (bzw. 150 oder 200) zu kommen ohne darüber zu graten. Sollte ein Spieler über diesen Wert kommen, ist er aus dem Spiel. Das Dartboard wird TOO HIGH ankündigen. Dartpfeile die außerhalb der Segmentfelder landen, setzen den Spieler auf 0 zum Anfang zurück. Pfeile die von den Segmentfeldern abprallen werden nicht bestraft und zählen nicht. Die Nummer die getroffen wurde wird gepunktet. Ein Doppelsegment zählt 2x und ein Dreifachsegment zählt 3x.

Der Spieler der am dichtesten an die vorausgewählte Punktzahl herankommt ist der Gewinner.

G32 FOOTBALL

Die Spieler müssen als erstes ihr Spielfeld auswählen, indem Sie einen Pfeil auf das Dartboard werfen. Sobald das Spielfeld bestimmt ist, beginnt das Sammeln von Punkten mit dem Doppelsegment, danach das Bull's Eye, dann zum gegenüberliegenden Segment in strikter Reihenfolge. Der Stand der Spieler wird auf dem Display angezeigt. Wenn zum Beispiel ein Spieler das Segment Nummer 11 ausgewählt hat, dann sollte er Doppel 11, Einfach 11, Dreifach 11, Einfach 11, äußeres Bull's Eye, inneres Bull's Eye, äußeres Bull's Eye, einfach 6, dreifach 6, einfach 6, und zum Schluß Doppel 6 werfen.

Der Spieler, welches die Sequenz als erster beendet hat ist der Gewinner.

G33 SHOOTING I

OPTION: DOUBLE BULL/ SINGLE BULL

In diesem Spiel wirft jeder Spieler drei Pfeile. Der Spieler, der mit seinen drei Pfeilen die höchste Gesamtpunktzahl erreicht, gewinnt die Runde. Das Spiel wird solange gespielt, bis ein Spieler insgesamt 7 Runden gewonnen hat..

G34 SHOOTING II

OPTION: DOUBLE BULL/ SINGLE BULL

Dieses Spiel wird genauso wie Shooting I gespielt, allerdings werden nur Pfeile, die in den einfach, doppel oder dreifach Segmenten der folgenden Zielzahlen landen, für den Punktstand gewertet: 15, 16, 17, 18, 19, 20, Bull's Eye. Gewonnen hat, wer als Erster 7 Runden gewinnt.

G35 SHOOTING III

OPTION: DOUBLE BULL/ SINGLE BULL

Dieses Spiel wird genauso wie Shooting I gespielt. Das Spiel dauert sieben Runden und wer als Erster vier Runden gewonnen hat, ist der Gewinner.

G36 SHOOTING IV

OPTION: DOUBLE BULL/ SINGLE BULL

Dieses Spiel wird genauso wie Shooting I gespielt, allerdings werden nur Pfeile, die in den einfach, doppel oder dreifach Segmenten der folgenden Zielzahlen landen, für den Punktstand gewertet: 15, 16, 17, 18, 19, 20, Bull's Eye. Das Spiel dauert sieben Runden und wer als Erster vier Runden gewonnen hat, ist der Gewinner.

FEHLERBEHEBUNG

Kein Strom	Prüfen Sie bitte und stellen Sie sicher, dass der AC-Adapter richtig in der Steckdose steckt und der DC-Stecker korrekt mit der DC-Buchse an der Scheibe verbunden ist.
Spiel wertet keine Treffer	Prüfen Sie, ob das Spiel im Einstellungsmodus oder im Wartemodus oder mitten in der Punkteprüfung ist. Drücken Sie die MISS/RESET-Taste 2 Sekunden, um zu sehen, ob das Spiel startet. Sie können auch prüfen, ob ein Segment oder eine Funktionstaste festgeklemmt ist.
Segment oder Taste festgeklemmt	Während des Versands oder im Verlauf eines normalen Spiels, kann es passieren, dass ein Segment zeitweise klemmt. In diesem Fall brechen alle automatischen Punkte-Funktionen ab. Indem Sie den Pfeil vorsichtig entfernen oder das Segment mit Ihrem Finger hin- und herwackeln, können Sie das Segment wieder lösen. Das Spiel kann dann wieder aufgenommen werden und die Punkte-Funktionen arbeiten wieder ordnungsgemäß.
Abgebrochene Spitzen entfernen	Soft-Tips können abbrechen und in der Scheibe stecken bleiben. In diesem Fall versuchen Sie die Spitzen vorsichtig mit einer Zange herauszuziehen. Hinweis: Je schwerer der Pfeil, umso größer ist die Wahrscheinlichkeit, dass die Spitze sich verbiegt und abbricht.
Elektrische oder elektro-magnetische Interferenzen	Sollte es zu elektromagnetischen Interferenzen kommen, wird die Elektronik der Dartscheibe möglicherweise nicht mehr ordnungsgemäß oder gar nicht funktionieren. (Zum Beispiel: ein schweres Gewitter, Spannungsstoß, eine Büschelentladung oder zu geringer Abstand zu einem elektrischen Motor oder einer Mikrowelle.) Um die normale Funktion des Spiels wieder herzustellen, entfernen Sie den Adapter 2 Sekunden von dem Gerät und der Stromversorgung. Stellen Sie sicher, dass die Quelle, die diese Störungen verursacht auch entfernt wird.

Garantie wird ungültig, wenn die Dartscheibe geöffnet oder auseinandergenommen wurde.

SICHERHEITSHINWEISE

WARNUNG!

Die Anschlusskontakte dürfen nicht kurzgeschlossen werden. Verwenden Sie nur den empfohlenen AC-Adapter (siehe Anleitung zum Aufhängen). Der Adapter ist kein Spielzeug!

Vermeiden Sie es, die Dartscheibe extremen Wetterbedingungen oder Temperaturen auszusetzen. Setzen Sie die Dartscheibe nicht Flüssigkeiten oder übermäßiger Feuchtigkeit aus. Reinigen Sie die Dartscheibe nur mit einem feuchten Tuch und/oder milden Reinigungsmittel.

Bitte trennen Sie die Verbindung zur Stromversorgung, bevor Sie die Dartscheibe reinigen. Untersuchen Sie regelmäßig den AC-Adapter auf Schäden am Kabel, Stecker, Gehäuse und anderen Teilen. Sollte eines dieser Teile beschädigt sein, benutzen Sie die Dartscheibe nicht, bis der Schaden repariert wurde.

WARNUNG: Darts ist ein Sport für Erwachsene, kein Spielzeug. Nicht für die Benutzung durch Kinder geeignet, es sei denn unter der Aufsicht eines Erwachsenen. Bitte lesen Sie die Anleitungen sorgfältig durch. Zielen Sie mit den Darts nicht auf Personen. Die sachgemäße Benutzung des Spiels verhindert Schäden oder Verletzungen.

RECYCLING



Das Symbol der „durchgestrichenen Mülltonne“ weist daraufhin, dass dieses Produkt und sein Adapter nicht in den Hausmüll geworfen werden dürfen. Sie sollten separat entsorgt werden. Wenn Sie diese Teile nicht mehr benutzen, bringen Sie diese bitte zu einer autorisierten Sammelstelle, damit sie recycelt werden können. Auf diese Weise schützen Sie die Umwelt und Ihre Gesundheit!

CARROMCO GmbH & Co. KG

Mühlenweg 144, 22844 Norderstedt, Germany
Tel.: +49 (0) 1805 25 63 63
service@carromco.com www.carromco.com

Bitte für zukünftiges Nachlesen aufbewahren.
MADE IN CHINA



14+

